

Tiresad

Live-Fire cooking made easy.

Introduction



DANGER

If you smell gas:

Shut gas off to the appliance.

Extinguish any open flame.

If odour continues, keep away from the appliance and immediately call your fire department.



WARNING

Do not store or use gasoline or other flammable liquids or vapors in the vicinity of this or any other appliance.

An LPG cylinder not connected for use shall not be stored in the vicinity of this or any other appliance.

This instruction manual contains important information necessary for the proper assembly and safe use of the appliance.

Read and follow all warnings and instructions before assembling and using the appliance. Keep this manual for future reference.

Never operate this appliance in enclosed areas. Failure to follow these instructions could result in asphyxiation, fire or explosion which could cause property damage, personal injury or death.

Never operate this appliance unattended.

Never operate this appliance within 1.5m of any structure, combustible material or other gas cylinder.

Never operate this appliance within 7.5m of any flammable liquid.

This appliance is not intended for commercial use

Do not fill the cooking vessel beyond the limitation of the door dimensions.

Heated liquids remain at scalding temperatures long after cooking process. Never touch cooking appliance until liquids have cooled to 45°C or less.

If a fire should occur, keep away from the appliance and immediately call your fire department. Do not attempt to extinguish an oil or a grease fire with water.

This appliance must be kept away from flammable materials during use.

Use outdoors only.

Do not modify the appliance.

Always replace the quick-connect cover when the gas hose is disconnected.

Contents

GENERAL ADVICE	6
WARRANTY	8
PRODUCT OVERVIEW	9
GAS SPECIFICATION	11
1 OPERATION & INSTALLATION	
SAFETY CONSIDERATIONS	14
FIRE	15
CARBON MONOXIDE	15
2 SETUP & ACCESSORIES	
INSTALLING THE BURNER GUARD	18
MOVING THE OVEN	19
OVEN PLACEMENT	20
OPTIONAL ACCESSORIES	22
3 FIRING UP GAS	
CONNECTING TO GAS	26
GAS SAFETY	27
INSTALLING THE	
IGNITER BATTERY	28
CONNECTING THE GAS HOSE	29
PUSH FIT REGULATOR	30
CLOCKWISE/ANTICLOCKWISE	
REGULATOR	30
TESTING FOR LEAKS	31
IGNITION	32
FIRST FIRING	33
TROUBLESHOOTING GAS BURNER	34
DISCONNECTING GAS	35
PUSH FIT REGULATOR	35
CLOCKWISE/ANTICLOCKWISE	
REGULATOR	36
4 GENERAL MAINTENANCE	
CLEANING THE VENTURI	39
CLEANING THE OVEN	40
INTERNAL	40
EXTERNAL	41
REPLACING THE PROBE	41

GENERAL ADVICE

Tread gets extremely hot and should not be used by children. Do not allow children near the device during or after operation. Tread can stay hot for a few hours after use.

Do not use under any apartment or balcony or deck.

This appliance is for cooking purposes only. It must not be used for other purposes, for example heating a room.

Tread shall not be used in a building, garage, or any other enclosed area.

Tread shall not be used on a marinecraft or within a recreational vehicle or any other form of confined area.

Assembly and operation of the oven should be carried out by a competent person.

The use of alcohol, prescription or non-prescription drugs may impair the consumers ability to assemble or operate the device safely.

Do not use any plastic or glass utensils within Tread.

Use heat-resistant gloves when operating the oven.

Do not insert items into Tread that are bigger than the dimensions of the oven mouth.

Do not over fill Tread or cover the burner.

Do not move Tread whilst in operation.

Do not use an unlined masonry chimney as the flue for this appliance.

Do not operate Tread in strong winds. Winds can extinguish the flame and also cause irregular air pressure resulting in the flame and heat coming out the back of Tread. Use a wind break in open areas but keeping over 45cm away from the device.

Do not pour water on to the cooking stone as this will likely crack it and could be dangerous because of oil and grease.

Do not modify this appliance.

Do not spray aerosols in the vicinity of this appliance while it is in operation.

Do not place articles on or against this appliance.

Do not use the appliance indoors. It is only suitable for use outdoors.

Leave oven to cool for at least 20 minutes before attempting to move or touch the oven.

For replacement parts contact us at enquiries@gozney.com / inquiries@gozney.com

WARRANTY

To view the warranty terms for your product, simply scan the QR code or visit www.Gozney.com/pages/warranty



To register for the extended 5 year warranty, simply scan the QR code or visit www.Gozney.com/pages/register-your-oven

Registrations must be made within 60 days of your purchase and proof of purchase is required.



EU DECLARATION OF CONFORMITY

Manufacturer's Name: Gozney Limited
Manufacturer's Address: Gozney Group Ltd, Bobbys, Third floor, The Square, 2-12 Commercial Rd, Bournemouth BH2 5LP

Herewith declare that this product
Product: Tread oven
Model / Type: GOZ - 1893
Trade name: Gozney

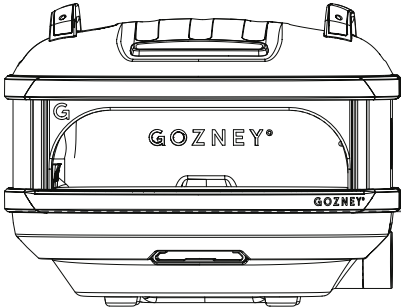
Is in conformity with the Essential Requirements of the Gas Appliance Regulation (EU) 2016/426, having been tested, examined, and found to comply with the following standard(s):
BS EN 498:2012

and that the following harmonized standards have been applied:
AS/NZS 5263.0:2023

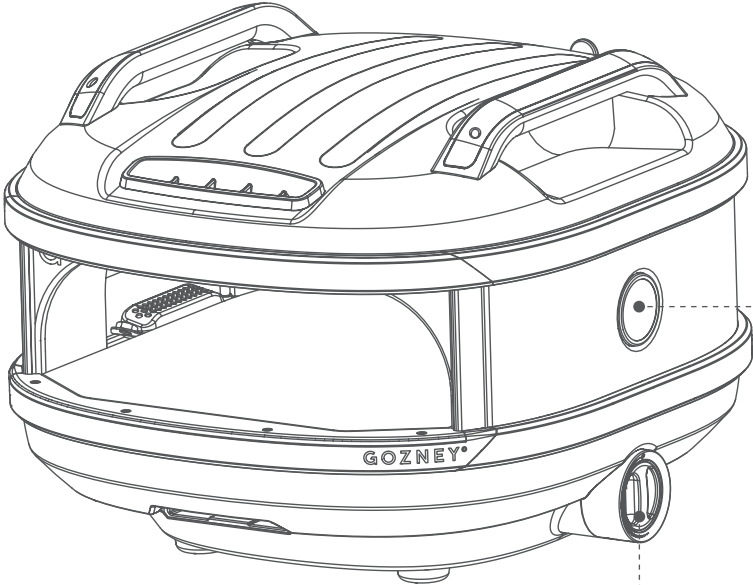
END OF LIFE

At product's end of life, please dispose responsibly.

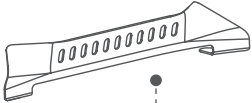
Product Overview - What's in the Box



Oven
Dock

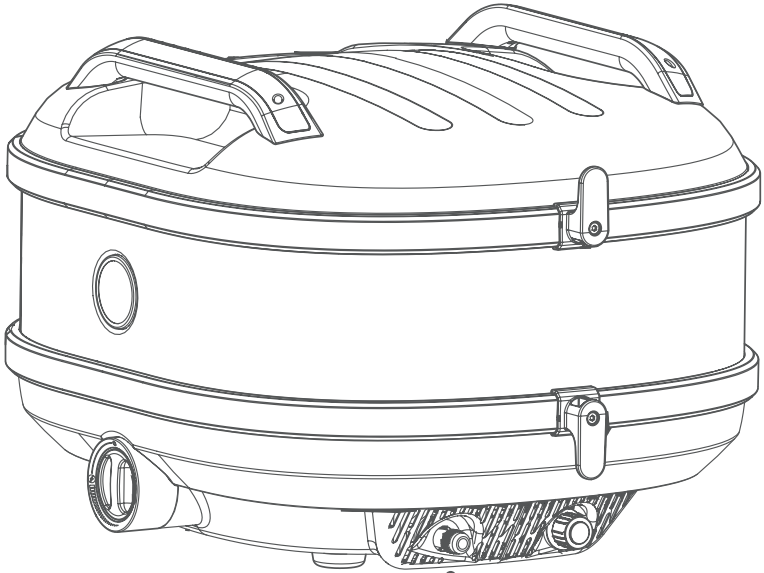


Gas Control Dial



Burner Guard

Thermometer



Gas Inlet

Gas Hose & Regulator

Torx Screwdriver

GAS SPECIFICATION

Gozney Group Ltd, Bobbys, Third floor, The Square, 2-12 Commercial Rd, Bournemouth BH2 5LP	
Appliance name:	Gozney Tread
Type No.:	GOZ-1893
Gas Category:	I _{3P(30)}
Trade name:	Gozney
Gas pressure:	2.75 KPA
Gas rate:	12.42 MJ/h
Gas type:	LPG
Jet orifice (mm)	0.95mm



Read the instructions carefully before installing and using the appliance.

This appliance must be installed according to the regulations in force and only used in a well ventilated space.

WARNING: accessible parts may be very hot. Keep young children away.

This section details the correct operation and install of a Gozney Tread.



Operation & Installation

SAFETY CONSIDERATIONS

This appliance must be installed on a secure level base prior to use.

WARNING: This appliance will become very hot, do not move it during operation.

WARNING: Keep away from children and pets.

WARNING: This appliance is for outdoor use only.

The Tread unit and the burner must always be well ventilated.

Do not move or leave Tread unattended whilst in use.

Do not operate Tread in strong winds. Wind can extinguish flame.

Do not burn wood in this oven.

Do not wear flammable loose garments or sleeves.

Do not cover oven mouth when there is an active flame, this will cause

damage to the oven.

This oven is not intended to be installed in or on recreational vehicles.

Product may contain sharp edges! Please use caution.

Do not use or store flammable materials in or near this appliance

NEVER cover slots, holes, or passages in the oven bottom or cover an entire dock with material such as aluminum foil. Doing so blocks air flow through the oven and may cause carbon monoxide poisoning. Aluminum foil linings may trap heat causing a fire hazard

WARNING: Contact your local municipality for any building codes applicable to the use, installation and operation of outdoor barbecue appliances.

Outdoor installations must conform to local codes or, in the absence of local codes, with the following standards: AS/NZS 5601

CARBON MONOXIDE

Carbon Monoxide is a highly poisonous gas which can be produced when the device isn't receiving enough ventilation.

We therefore recommend using gas fuels in a well ventilated area away from direct wind and to never cover the oven mouth when there is an open flame present.

It is difficult to know if your device is producing Carbon Monoxide as it is an odourless and colourless gas.

It can, however cause these symptoms when you are exposed to it:

- Tightness across the forehead
- Headache
- Weakness
- Dizziness
- Nausea
- Vomiting
- Coma, intermittent convulsions
- Depressed heart action, slowed respiration

If the exposure has been severe it may cause death.

Please follow local regulations and install a CO alarm if necessary.

FIRE

Most fires are caused by a build up of grease, or (if using gas) an improper gas connection. In the event of a fire ensure all people and pets are kept as far away as possible.

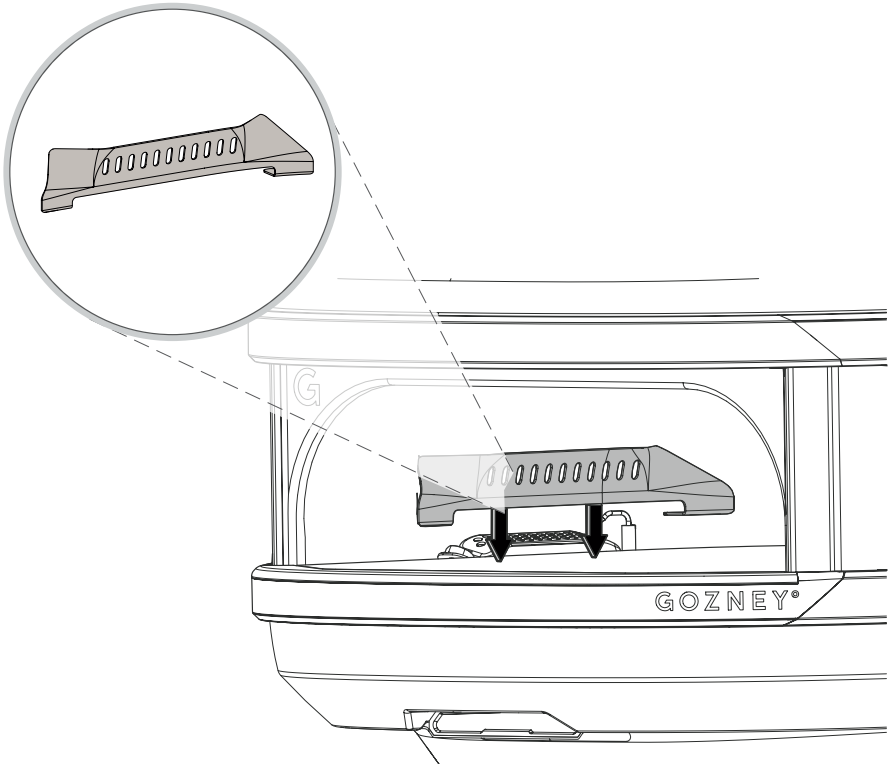
Use a fire extinguisher if possible, but if water is the only fire retardant available, thoroughly soak the area around the appliance. When spraying water on Tread itself, do not use a strong jet of water, as this may cause splashing of burning grease, resulting in a further spreading of the fire.

This section details the set up of the oven and the accessories included with your Tread.

2

Setup & Accessories

Installing The Burner Guard



When fitting the burner guard ensure the stone is central. This may need adjusting accordingly.

Moving the Oven

Use both handles on the topside of the oven to carry it.

Do not move Tread whilst in operation or when it is still hot.

Do not pick the unit up by one handle. Ensure you use both handles when moving tread.

Always allow at least 20 minutes before attempting to move Tread oven.



WARNING

Do not use the front flue to lift the oven.

Do not use the mouth of the oven as a lifting point.

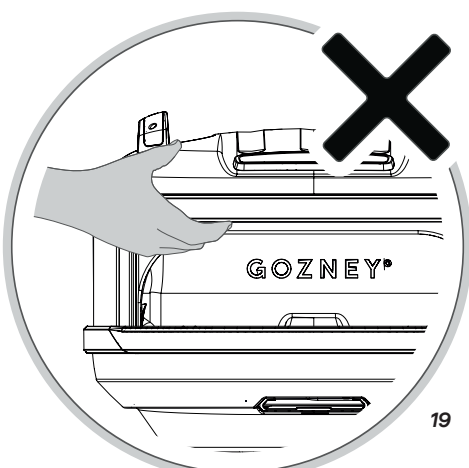
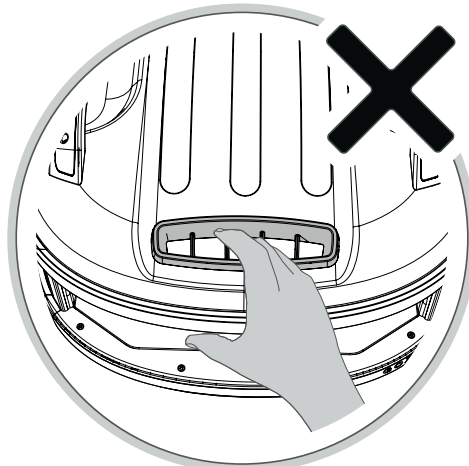
Do not use the clips at the back as a lifting point.

Remove anything loose and all transit packaging in the oven before moving.

Always plan the route you are going to take, remove any obstacles on your path and ensure the oven will fit through the intended route.

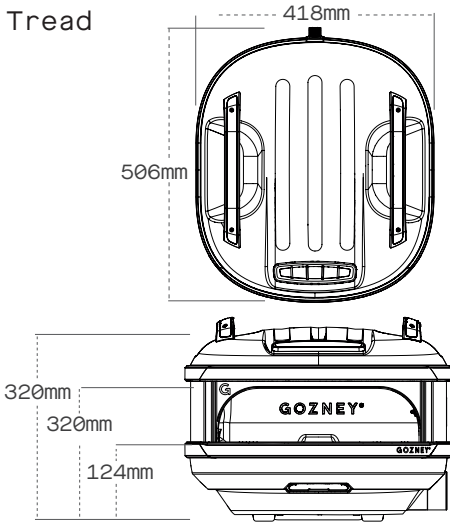
Ensure the area you are moving the oven to fits with the guidelines on the following page.

Be sure that you have the capability to safely move the oven and set it in place. Failure to do so could cause serious bodily injury.



OVEN PLACEMENT

When deciding where to place Tread ensure the area is large enough to accommodate the oven with 50mm (2") around the base of the dock for air intake. It is important nothing is blocking this area as this will affect the performance of Tread.



WARNING

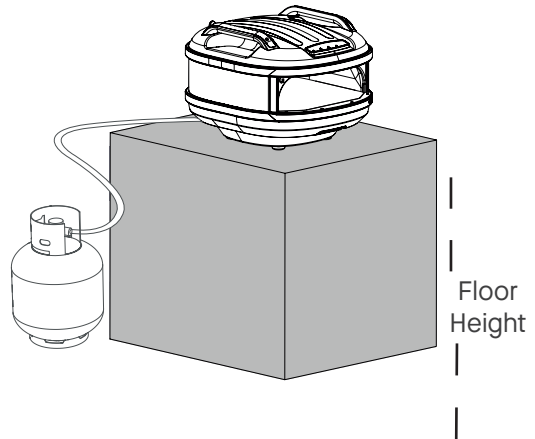
When placing your oven it is important to maintain proper clearances from combustible construction. Ensure Tread has 0.3m (1ft) clearance (back and sides) and 1m (3ft 3") clearance (front) from any combustible construction.

Always keep the area around the oven clear of any combustible materials, gasoline and other flammable vapors and liquids.

Under no circumstances is the oven to be placed under or on top of any combustible structure.

We recommend the height of the floor to be around the level of the bottom of the users elbow (usually around 1.2m/3ft 11" from the ground).

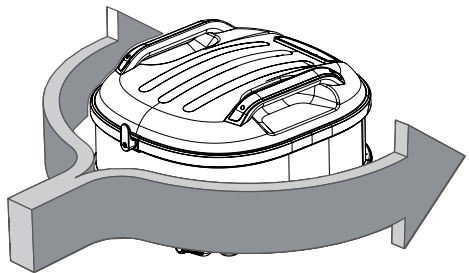
Ensure the surface the oven is being placed on is completely level, stable and capable of easily holding the weight of the oven - 14kg (30.9lbs).



WARNING

Never operate the oven in high winds or if the wind is blowing into the oven mouth.

Wind should be taken into consideration when choosing a location. The oven should be orientated so that the mouth is facing away from the wind. Avoid using the oven in windy conditions, it is important to have wind breaks situated around the oven to stop the wind from blowing the flame down into the dock. If you see fire coming from the dock, turn the oven off from either the gas bottle or control dial. Never operate the oven in high winds.



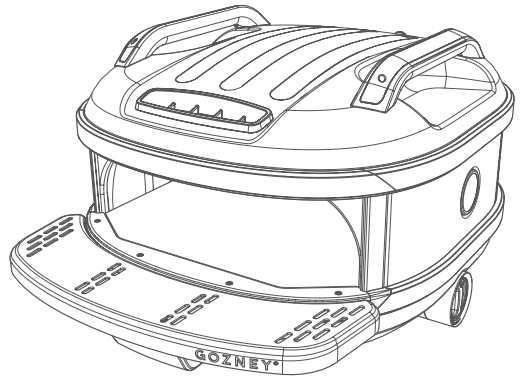
Optional Accessories

Not included and must be purchased separately.
For more details visit the Gozney website. www.gozney.com.

TREAD MANTLE

Whether you're cooking Neapolitan pizza, roasting vegetables or smoking meat, Tread Mantle makes moving food in or out of the oven simple.

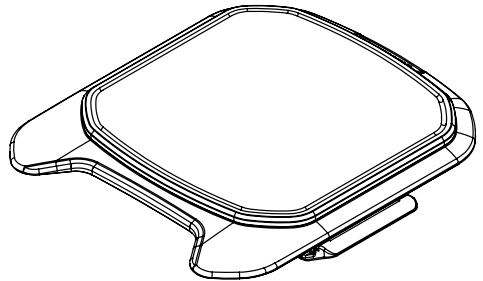
Easily slotting onto the oven, the Mantle is made from ceramic coated, food grade aluminum alloy for extra heat and scratch resistance.



TREAD ROOF RACK

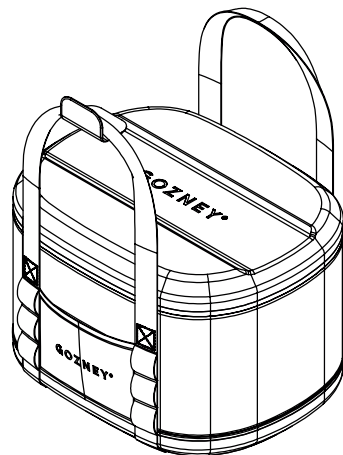
Whether you're chopping toppings, serving Neapolitan pizza or need somewhere to put your cast iron pan, Tread roof rack provides a workspace for this.

Hooking and latching onto the ovens handles, the tread roof rack turns the oven into a central table for all your needs.



TREAD BAG

Designed to carry the tread oven with all accessories fixed to the sides of the bag, stored in the pockets or through the loops. Whilst giving complete protection from rain, wind, frost, UV, salt, insects and wildlife, the Tread bag remains breathable to let moisture escape when it needs to. Tread on the move.



Your guide to burning gas.

3

Firing Up Gas

Connecting to Gas

Check that the gas you are using is specified on the data plate page.

The gas cylinder used must have a safety collar to protect the valve assembly. Do not use a cylinder that is rusty, dented or has a damaged valve.

We recommend using a 9kg gas bottle as a minimum in conjunction with Tread.

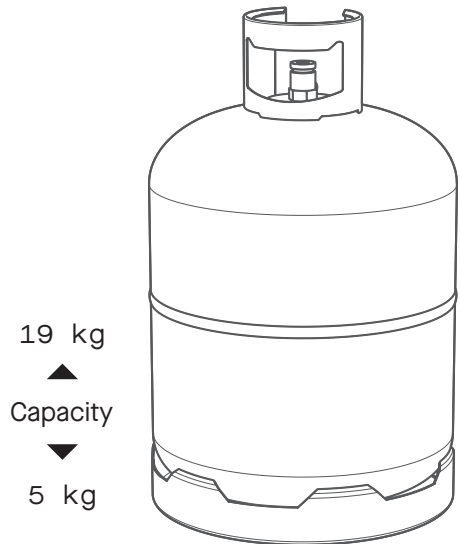
Connect the regulator to the gas canister, following the instructions for your regulator accordingly. Do not force the regulator as this could damage the gas bottle.

WARNING: If at any point you smell gas: Shut off the gas from the cylinder, turn off the switch on Tread and extinguish any open flames.

If odour continues, move away from Tread and gas supply then contact your gas supplier or fire service.

Ensure that the LPG cylinder or regulator valve is closed.

Do not store a spare LPG cylinder under or near this appliance.



Gas Safety

Prior to use, check the oven, burner and venturi for blockages (e.g. food residue or insect nests - Wasps, Bees or Ants.) If an insect nest is found they can be dangerous and must be cleaned out thoroughly. Please refer to the cleaning and maintenance section for guidance.

Should the appliance extinguish for any reason, turn off the control dial and the cylinder gas valve. Wait 5 minutes before attempting to relight the appliance.

Some foods produce flammable fats and juices. Therefore the Tread oven should be attended at all times whilst being used. Damage caused by fat and grease fires is not covered by warranty. If a grease or fat fire should occur, immediately turn off burner knob and the gas cylinder valve until the fire is out. Remove all food from the appliance.

A leak test must be carried out prior to using the appliance for the first time and whenever the gas cylinder is refilled or whenever the gas hose and regulator have been disconnected from the gas cylinder or appliance. For instructions on how to test for gas leaks see page 32. Remove all packaging before attempting to light the gas burner.

Please take a moment to review all of the safety requirements before operating the appliance when using gas.

CAUTION: Use only the gas pressure regulator supplied with this appliance or Gozney approved alternative. This regulator is set for an outlet pressure of 11 in wc (2.75 kPa).



Remove the cap from the gas inlet before connecting the hose. Make sure it is free of damage and debris.



Do not disconnect any gas fittings while the appliance is operating.



Check all gas hose lines and connections for cuts, cracks and other damage before each use. If there is excessive abrasion or wear it just be replaced with a Gozney approved hose assembly before use.



Gas cylinders must not be stored in enclosed areas.




Keep the fuel supply hose away from heated surfaces or direct sunlight.





Do not use any additional flammable substance whilst operating with gas.




Do not touch! Tread can get extremely hot when in operation. Be sure to wear protective gloves when operating the oven. Young children should be kept away.


 Keep the cylinder outdoors in its upright position.


 Do not connect multiple gas canisters to Tread or store a spare within the same vicinity.


 A regulator which complies with EN16129 or EN12864 must fit between the gas canister and the oven.


 Do not position the gas canister under the oven.

 Never use a naked flame to check for gas leaks.

 Maximum length of hose cannot exceed 1.5m (4ft 11”).


 National requirements state how often to replace the hose. Please review this for your area.


 Never fill the cylinder beyond 80 percent full.

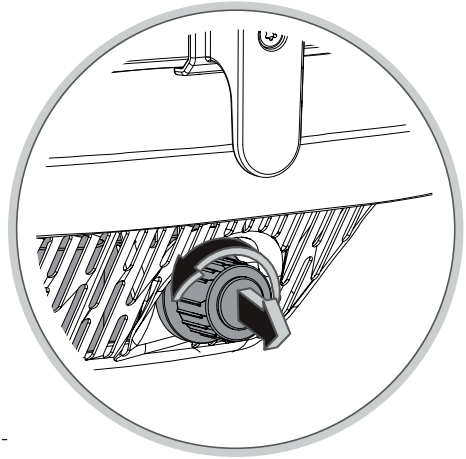
 Make sure the flexible tube is not twisting when the appliance is in operation.

Do not spray aerosols in the vicinity of the appliance while it is in operation.

 Do not use or store flammable materials in or near this appliance

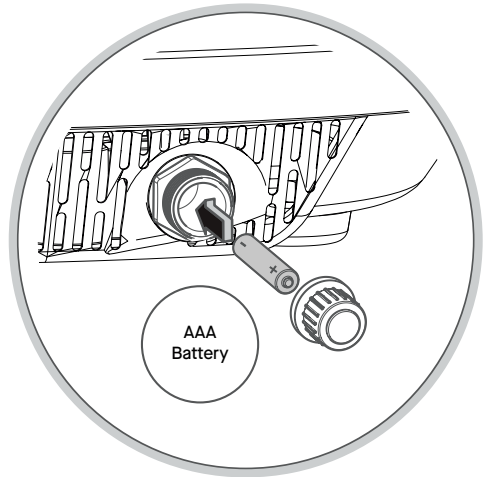
 Do not place articles on or against this appliance. Do not modify this appliance.

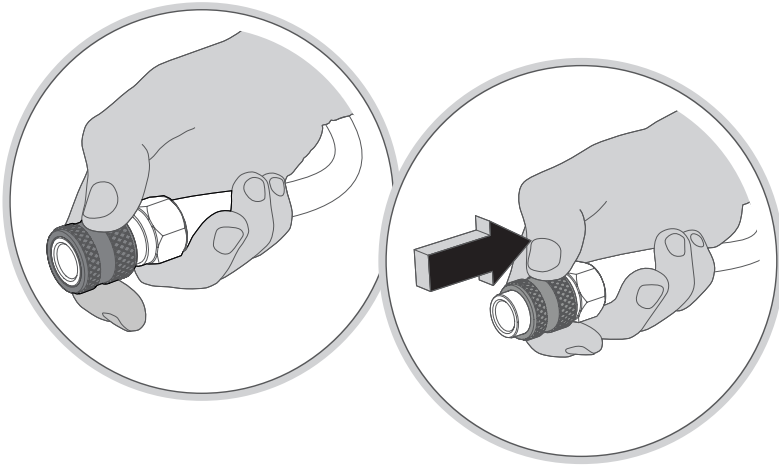
 Do not use an adaptor at the cylinder connection.



INSTALLING THE IGNITOR BATTERY

Before using the gas burner for the first time you'll need to install an AAA battery into the ignition module. Unscrew the cap and place the battery in (negative end first) before returning the cap to its original position in the dock. You're now ready to connect the gas bottle to the oven.

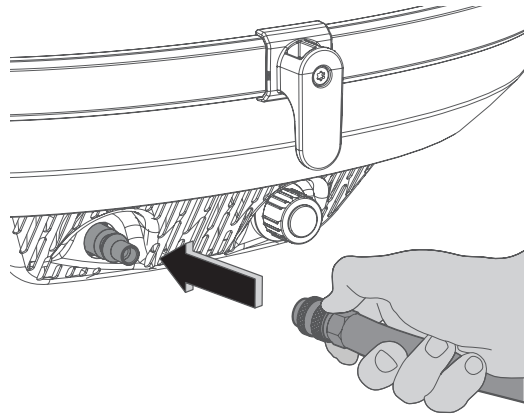




CONNECTING THE GAS HOSE

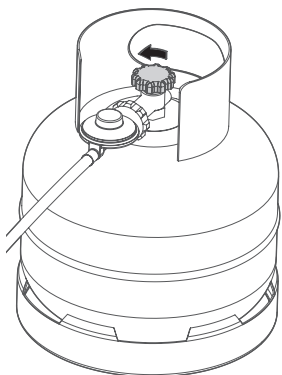
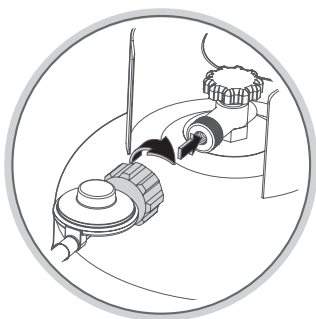
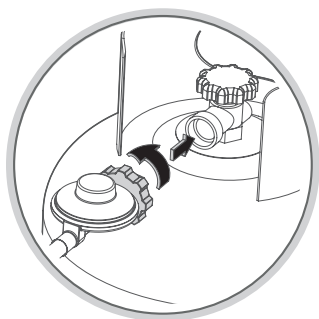
To attach the quick connection gas hose to your Tread pull the collar back on the connector and place the hose onto the gas inlet. When you release the collar it should return to its original position freely. This connection must be tested for leaks before using the oven.

Inspect the hose before each use of the appliance. If there is evidence of abrasion, wear, cuts, or leaks, the hose must be replaced prior to the appliance being put into operation. Any replacement hose assembly or pressure regulators shall be that specified by Gozney, for more details visit the Gozney website. www.gozney.com. Keep the gas hose away from any heated surface(s).



WARNING

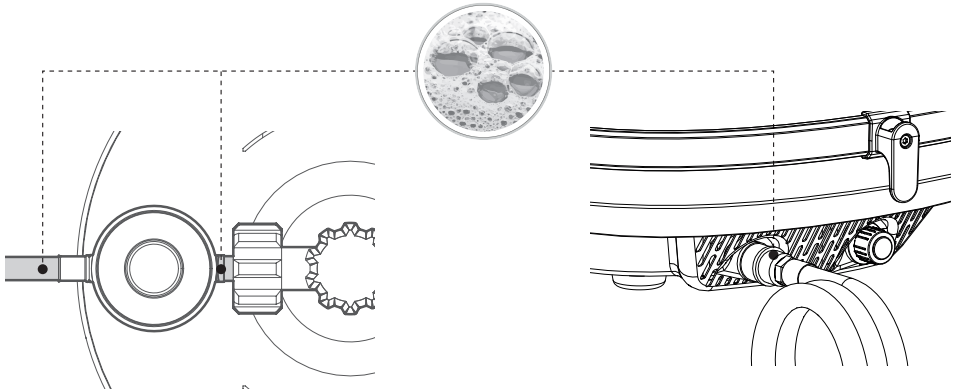
If you plan on storing tread with the gas hose disconnected, ensure cap is installed over the gas inlet to prevent debris entering the inlet.



CLOCKWISE / ANTICLOCKWISE REGULATOR

Ensure the gas bottle is turned off. Align the regulator and the gas bottle threads and carefully begin to tighten ensuring the threads aren't crossed. Continue to tighten until a tight fit has been made. This connection must be tested for leaks before using the oven.

Testing For Leaks



WARNING

You should always check for gas leaks every time you disconnect and reconnect a gas fitting. Never ignite burners when leak checking.

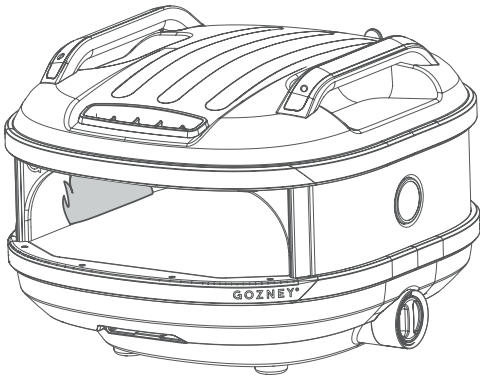
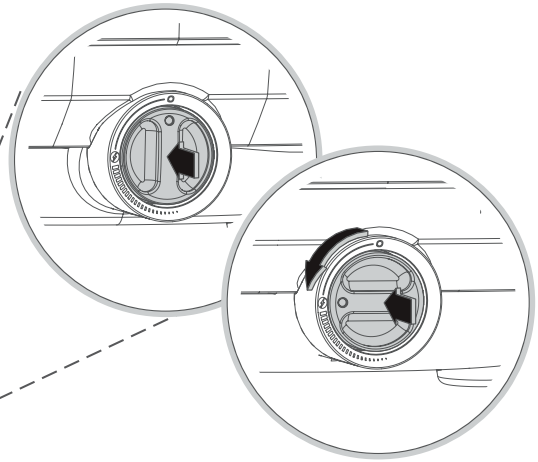
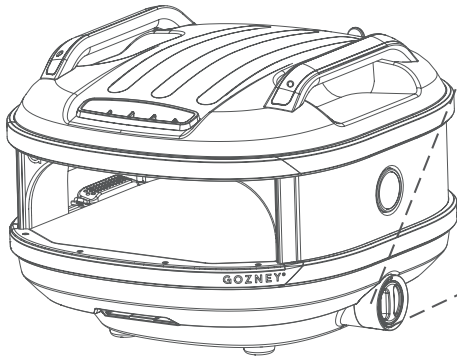
To test for us, apply a mixture of soapy water with a brush to the highlighted areas and any cracks along the hose. If a leak is present the solution will bubble.

If there is a leak at the hose to oven

connection, re-tighten the fitting with a spanner and check for leaks by applying a soap-and-water solution to the highlighted areas with a brush. If a leak persists turn off the gas and **DO NOT OPERATE THE OVEN.**

If there is a leak at the valve connection, remove LPG cylinder. Do not operate oven. Use a different LPG cylinder and recheck for leaks with the soap-and-water solution.

Ignition

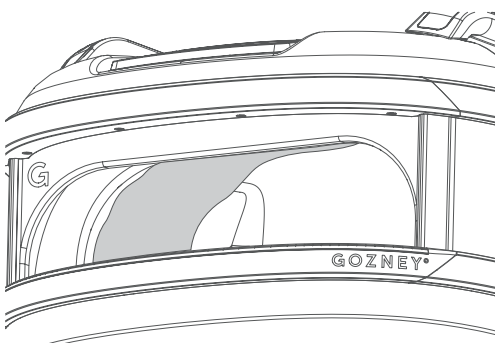


To light the gas burner press the control dial in and turn the dial 90° until you hear a clicking sound and the burner ignites.

If the burner does not light after several tries turn the gas off at the bottle and leave the oven for 5 minutes to ensure any gas has dissipated before reattempting the ignition process.

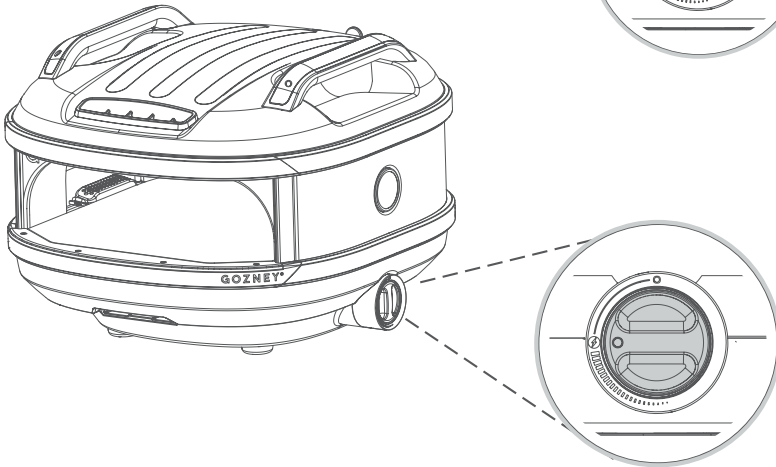
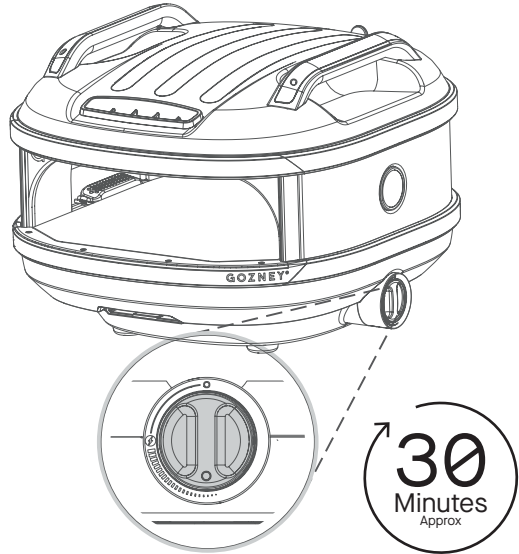
The flame should be yellow/orange in colour and roll along the top of the oven.

If the flame is extinguished during use the gas flow will automatically be cut off by the oven. If this happens, turn the gas off at the bottle and leave Arc for 5 minutes to ensure any gas has dissipated before reattempting the ignition process. If problems with ignition or the flame extinguishing reoccur contact Gozney customer services.

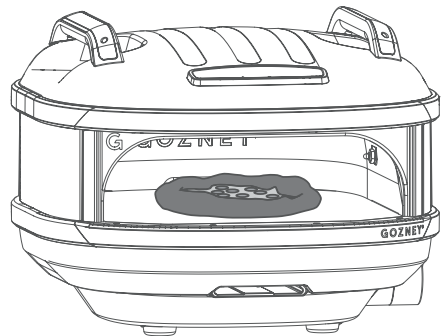


First Firing

On your first firing we highly recommend putting the burner on a medium to low flame for 30 minutes to help cure the oven before moving to a high flame.



On subsequent firings after curing, you can bring the oven up to the desired temperature from ignition. If the oven has been dormant for an extended period, you should cure the oven again as if it was a first firing.

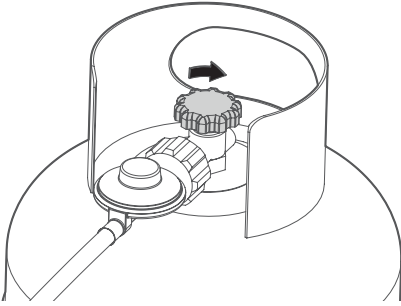


Troubleshooting Gas Burner

Problem Observed	Possible Reasons	Solution
Flame looks too small	<ul style="list-style-type: none"> • Gas canister is near empty • Gas canister is too small • Ambient temperature is below 0°C • Blocked burner 	<ul style="list-style-type: none"> • Try replacing the gas canister if it is empty. • The cannister maybe too small. We recommend a 5kg canister as a minimum. • If the ambient temperature is below 0°C it is to be expected that a loss of power from the gas canister will occur. • The burner could be blocked, please refer to cleaning instructions available in this manual.
Failure to ignite	<ul style="list-style-type: none"> • Ignition battery is empty • Blocked burner • Gas canister is empty 	<ul style="list-style-type: none"> • If firing for the first time or replacing a gas bottle the burner can take up to 30 seconds for the gas to flow through the system. Keep the control dial in for 30 seconds after firing until the FFD engages. • If the control knob is not making a clicking sound when pushed in try replacing the battery in the ignition module. Review the maintenance section within the manual for help and guidance on this.
Noisy Flame	<ul style="list-style-type: none"> • Incorrect ignition • Blocked Burner 	<ul style="list-style-type: none"> • If the burner is making a loud grumbling sound first turn the burner down to low flame and then back to high. If the sound continues turn the burner off for 5 minutes and retry igniting it. If the problem persists still review the cleaning and maintenance instructions to remove debris in the burner.

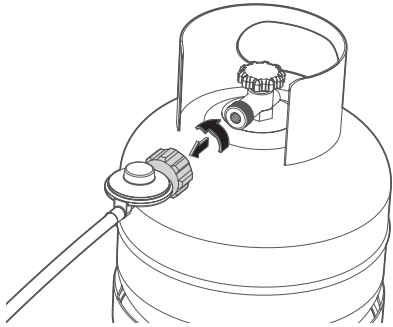
If the problem persists after trying the following solutions please contact Gozney for further support.

Disconnecting Gas



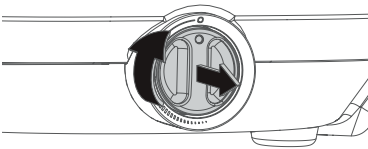
CLOCKWISE REGULATOR

After cooking, be sure to turn off the gas from the gas canister first before turning of Tread. This will allow any gas left in the burner or pipe to be used up safely. Three minutes after turning the gas off it will be safe to remove the regulator and turn the control dial back to the off position.



WARNING

For storage and cylinder exchange, disconnect the cylinder only. Do not disconnect hose from the appliance.



Your guide to general maintenance.

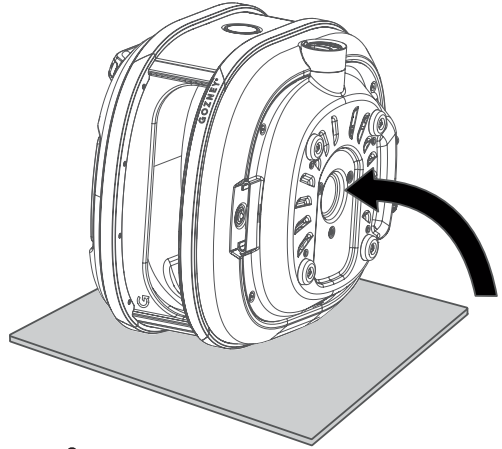
4

General Maintenance

Maintenance

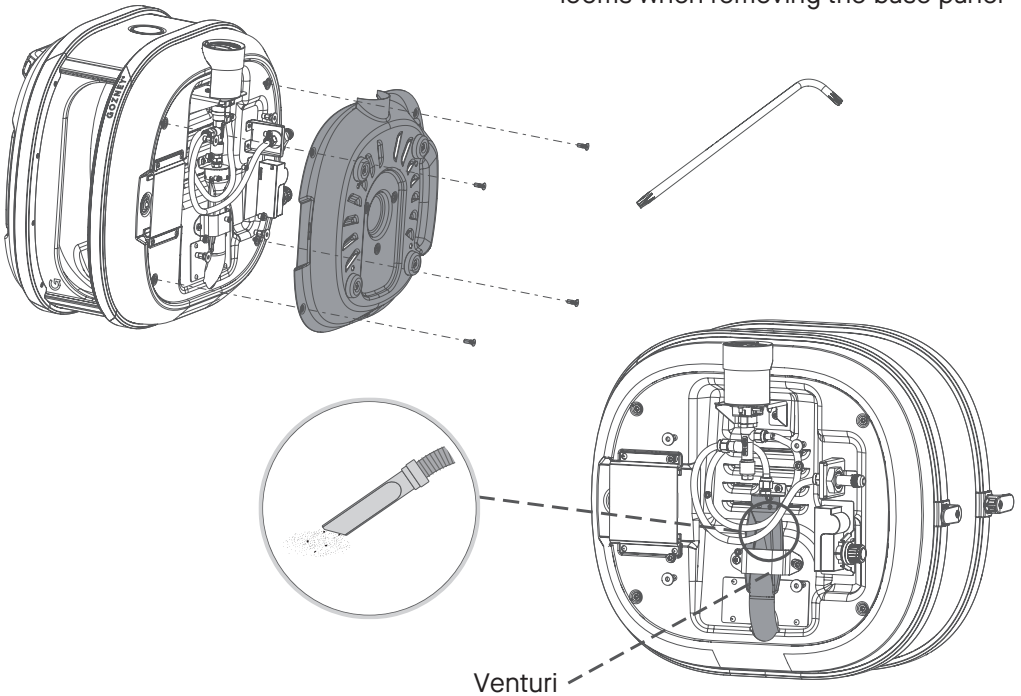
CLEANING THE VENTURI

If your burner's flame is overly yellow or making more noise than usual you may have debris blocking the venturi. When the oven is turned off, disconnect it from the gas and let it cool. Make sure Tread is on a soft surface that won't cause scratches before gently rolling it onto its side. **DISCONNECT THE GAS.** Use the torx screwdriver provided to loosen the 4 screws and remove the bottom panel. The base panel will stay attached with the wiring looms. Take care when doing this. Use a vacuum cleaner with a long plastic nose to remove any debris. It's good practice to check the inside of the dock for debris regularly.



WARNING

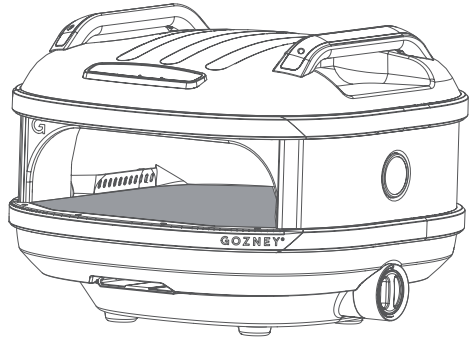
Take care not to damage any of the wiring looms when removing the base panel



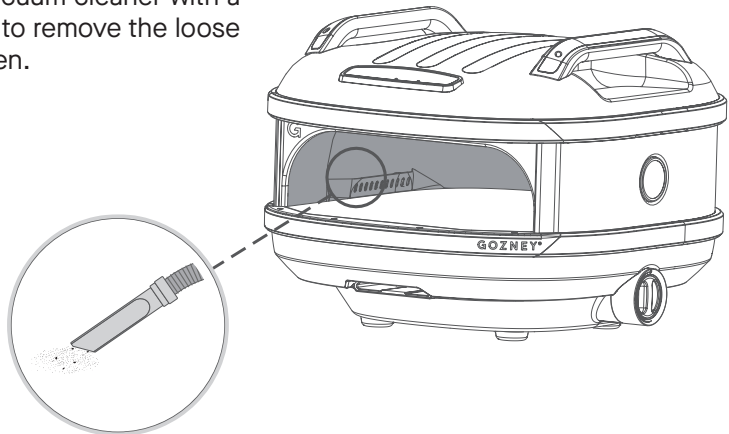
Cleaning The Oven

INTERNAL

The best way to clean the inside of Tread is to burn off any food debris or soot that is left behind. When the oven is over 650°F it will start self cleaning and any burnt on food will burn off after a period of three hours.



If there is any soot or debris left, wait for the oven to cool down and use a soft brush to dislodge, being careful not to apply too much pressure and damage the oven. Use a vacuum cleaner with a plastic attachment to remove the loose debris from the oven.



EXTERNAL

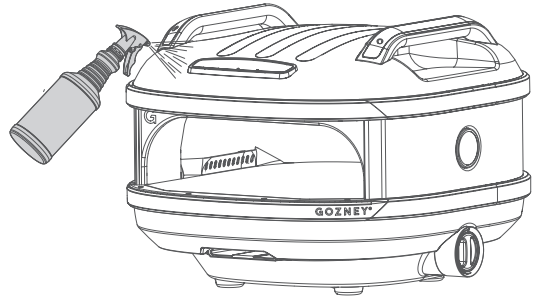
For the exterior of Tread ensure the oven is cool and use a non caustic bleach free cleaning spray on the dirty areas. Clean the area with warm soapy water and a sponge or non abrasive dish cloth and then wipe clean with paper towels.

Avoid spraying directly onto the thermometer or control dial.

Do not use abrasive cleaning products or abrasive sponges, cloths etc

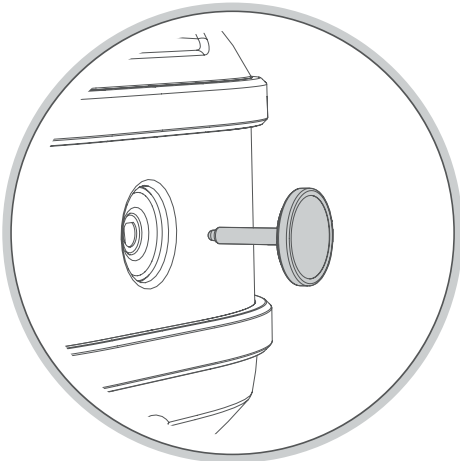
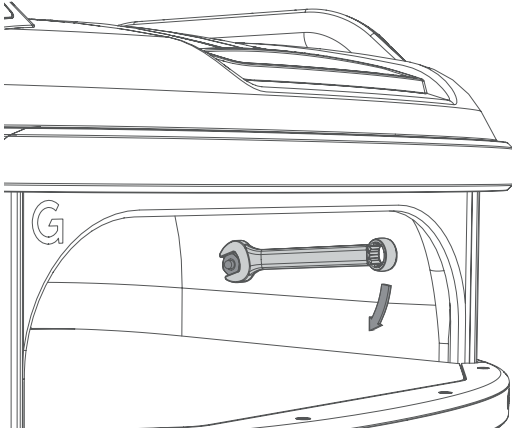
When the oven isn't in use it should be kept under cover away from rain. If you are placing a cover directly on Tread, ensure it's completely cooled down before covering.

When using the oven again after a long period of disuse, we recommend firing the oven as if it is a first firing.



Replacing The Thermometer Probe

Only when the oven is cold, using a 13mm spanner, remove the m8 nut and remove the thermometer. Replace it with the new one and re tighten the M8 nut.



GOZNEY°