

SDOME

Live-Fire cooking made easy.

Introduction



DANGER

If you smell gas:

Shut gas off to the appliance.

Extinguish any open flame.

If odour continues, keep away from the appliance and immediately call your fire department.



WARNING

Do not store or use gasoline or other flammable liquids or vapors in the vicinity of this or any other appliance.

An LPG cylinder not connected for use shall not be stored in the vicinity of this or any other appliance.

This instruction manual contains important information necessary for the proper assembly and safe use of the appliance.

Read and follow all warnings and instructions before assembling and using the appliance. Follow all warnings and instructions when using the appliance. Keep this manual for future reference.

Never operate this appliance in enclosed areas. Failure to follow these instructions could result in asphyxiation, fire or explosion which could cause property damage, personal injury or death.

—
Never operate this appliance unattended.

—
Never operate this appliance within 1.5m of any structure, combustible material or other gas cylinder.

—
Never operate this appliance within 7.5m of any flammable liquid.

Do not fill the cooking vessel beyond the opening of the oven mouth.

—
Heated liquids remain at scalding temperatures long after cooking process.

—
Never touch cooking appliance until liquids have cooled to 45°C or less.

—
If a fire should occur, keep away from the appliance and immediately call your fire department. Do not attempt to extinguish an oil or a grease fire with water.

Contents

GENERAL ADVICE	8
PARTIAL ENCLOSURES	9
PRODUCT OVERVIEW	10
DATA PLATE	12
1 OPERATION & INSTALLATION	15
SAFETY CONSIDERATIONS	16
FIRE	17
CARBON MONOXIDE	17
2 SETUP & ACCESSORIES	19
ADJUSTING THE STONES	20
MOVING THE OVEN	21
OVEN PLACEMENT	22
FLUE ASSEMBLY	24
LPG BOTTLE SETUP	25
DIGITAL TEMPERATURE DISPLAY SET UP	26
DIGITAL TEMPERATURE DISPLAY	27
TROUBLESHOOTING	28
E1 ERROR CODE	28
E3 ERROR CODE	28
OPTIONAL ACCESSORIES	29
ROPE SEALED DOOR	29
FLUE EXTENSION	29
DOME S1 MANTLE	30
NEAPOLITAN ARCH	30
3 FIRING UP GAS	32
OVERVIEW OF FIRING GAS	34
CONNECTING TO GAS	34
GAS SAFETY	35
INSTALLING THE IGNITER BATTERY	37
CONNECTING THE GAS HOSE	39
ANTICLOCKWISE REGULATOR	40
TESTING FOR LEAKS	41
IGNITION	42
FIRST FIRING	43

	TROUBLESHOOTING GAS BURNER	44
	DISCONNECTING GAS	45
	ANTICLOCKWISE REGULATOR	45
4	GENERAL MAINTENANCE	47
	MAINTENANCE	48
	CLEANING THE VENTURI	48
	CLEANING THE OVEN	49
	INTERNAL	49
	EXTERNAL	50
	REPLACING THE PROBE	51
5	PRODUCT WARRANTY	54
	WARRANTY	56

GENERAL ADVICE

Dome S1 gets extremely hot and should not be used by children. Do not allow children near the device during or after operation. Dome S1 can stay hot for a few hours after use.

Do not use under any apartment or balcony or deck.

This appliance is for cooking purposes only. It must not be used for other purposes, for example heating a room.

Dome S1 has not been designed or intended to be used on a marinecraft or within a recreational vehicle or any other form of confined area.

Assembly and operation of the oven should be carried out by a competent person.

The use of alcohol, prescription or non-prescription drugs may impair the consumers ability to assemble or operate the device safely.

Do not use any plastic or glass utensils within Dome S1.

Use heat-resistant gloves when operating the oven.

Do not insert items into Dome S1 that are bigger than the dimensions of the oven mouth.

Do not over fill Dome S1 or cover the burner.

Do not use an unlined masonry chimney as the flue for this appliance.

Do not operate Dome S1 in strong winds. Winds can extinguish the flame and also cause irregular air pressure resulting in the flame and heat coming out the back of Dome S1. Use a wind break in open areas but keeping over 45cm away from the device.

Do not pour water on to the cooking stone as this will likely crack it and could be dangerous because of oil and grease.

Do not modify this appliance.

Do not spray aerosols in the vicinity of this appliance while it is in operation.

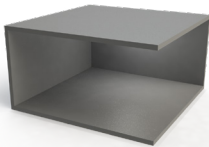
Do not place articles on or against this appliance.

Do not use the appliance indoors. It is only suitable for use outdoors.

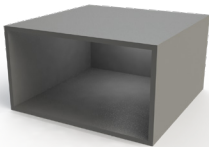
For replacement parts go to Gozney.com.

PARTIAL ENCLOSURES

This appliance shall only be used in an above ground open-air situation with natural ventilation, without stagnant areas where gas leakage and products of combustions are rapidly dispersed by wind and natural convection. Any enclosure in which the appliance is used shall comply with one of the following:



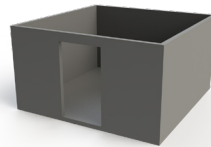
Within a partial enclosure that includes an overhead cover and no more than two walls. A common example is an outdoor gazebo.



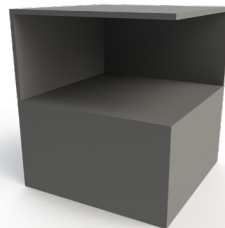
Within a partial enclosure that includes an overhead cover and more than two walls, the following shall apply:

- (i) at least 25% of the total wall area is completely open; and
- (ii) at least 30% of the remaining wall area is open and unrestricted.

Warning: Do not use the Dome S1 in enclosed or on small balconies.

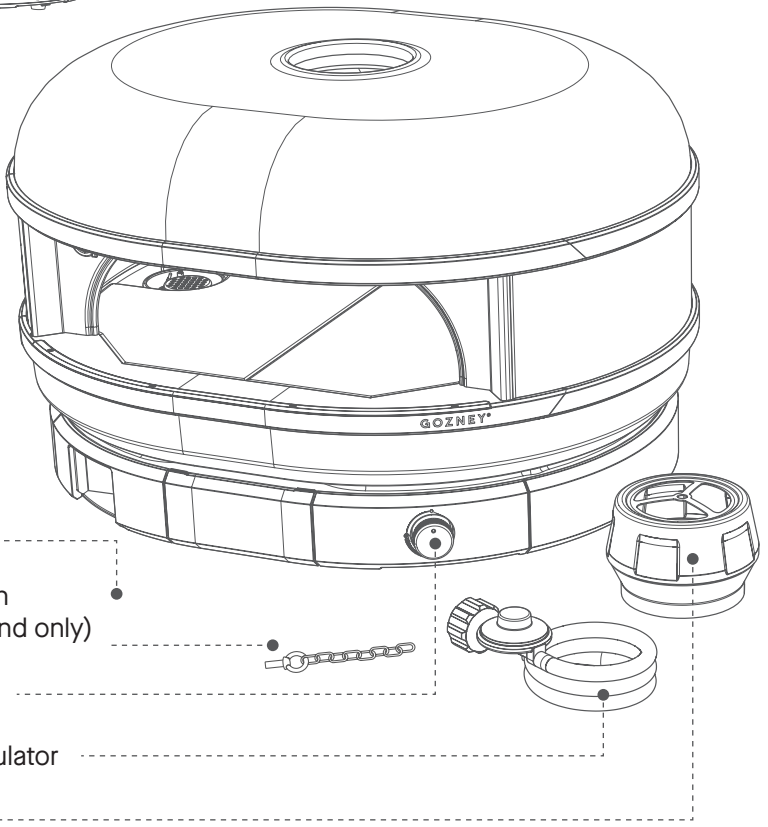
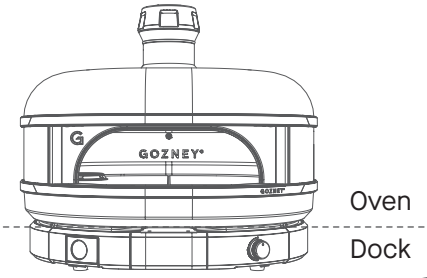


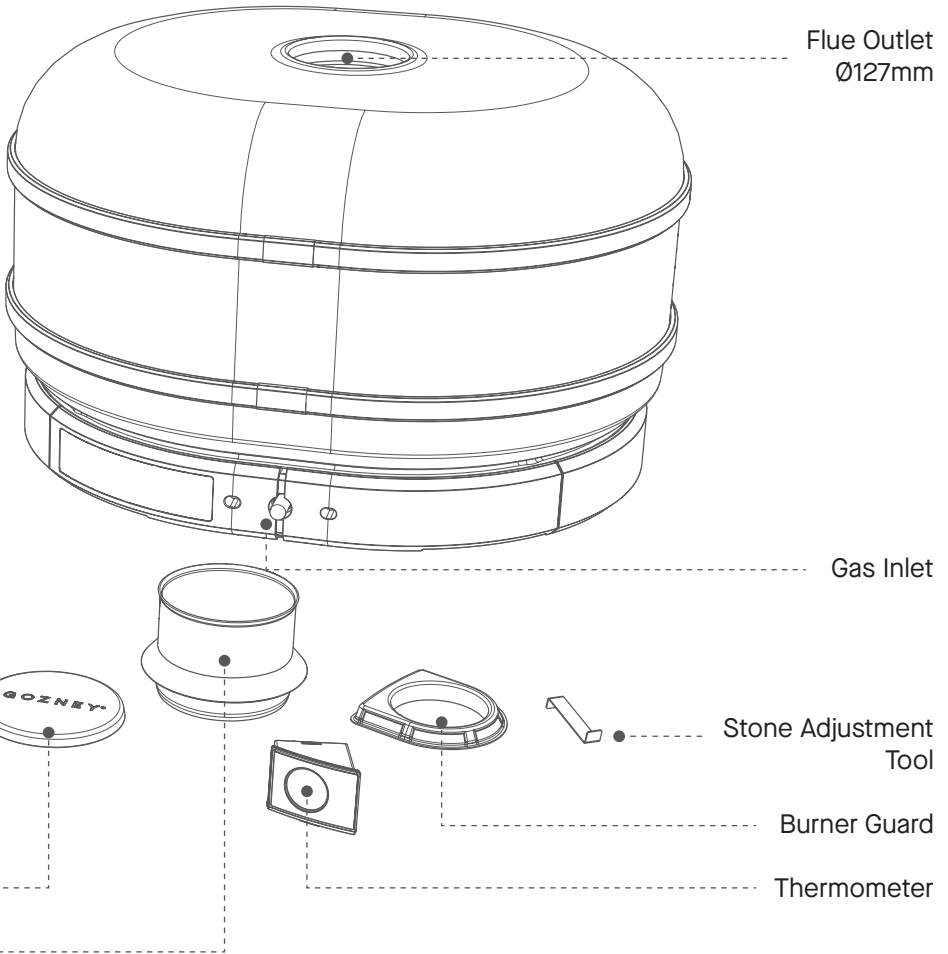
An enclosure with walls on all sides, but at least one permanent opening at ground level and no overhead cover.



In the case of balconies, at least 20% of the total of the side, back and front wall areas shall be an remain open and unrestricted.

Product Overview - What's in the Box





Data Plate

Gozney Limited, Units 18 & 19, Radar Way, Christchurch, Dorset, BH23 4FL UK.

Appliance name:	Gozney Dome S1
Model/type No.:	4555-S1-03
Trade name:	Gozney Dome S1
Gas pressure:	2.75 kPa
Gas rate:	30 MJ/h
Gas type:	LPG
Jet orifice:	1.52mm

This section details the correct operation and install of a
Gozney Dome S1.



Operation & Installation

SAFETY CONSIDERATIONS

This appliance must be installed on a secure level base prior to use.

WARNING: This appliance will become very hot, do not move it during operation.

WARNING: Keep away from children and pets.

The Dome S1 unit and the burner must always be well ventilated.

Do not move or leave Dome S1 unattended whilst in use.

The oven can become very hot. Do not use the accessory hatch when the oven is in operation.

Do not operate Dome S1 in strong winds. Wind can extinguish flame.

Do not wear flammable loose garments or sleeves.

—
Do not cover oven mouth when there is an active flame, this will cause damage to the oven.

—
Product may contain sharp edges! Please use caution.

—
Do not burn wood in this oven.

—
Do not use or store flammable materials in or near this appliance.

WARNING: Contact your local municipality for any building codes applicable to the use, installation and operation of outdoor cooking appliances.

Outdoor installations must conform to local codes or, in the absence of local codes, with the following standards: AS/NZS 5601

CARBON MONOXIDE

Carbon Monoxide is a highly poisonous gas which can be produced when the device isn't receiving enough ventilation.

We therefore recommend using gas fuels in a well ventilated area away from direct wind and to never cover the oven mouth when there is an open flame present.

It is difficult to know if your device is producing Carbon Monoxide as it is an odourless and colourless gas.

It can, however cause these symptoms when you are exposed to it:

- Tightness across the forehead
- Headache
- Weakness
- Dizziness
- Nausea
- Vomiting
- Coma, intermittent convulsions
- Depressed heart action, slowed respiration

If the exposure has been severe it may cause death.

Please follow local regulations and install a CO alarm if necessary.

FIRE

Most fires are caused by a build up of grease, or (if using gas) an improper gas connection. In the event of a fire ensure all people and pets are kept as far away as possible.

Use a fire extinguisher if possible, but if water is the only fire retardant available, thoroughly soak the area around the appliance. When spraying water on Dome S1 itself, do not use a strong jet of water, as this may cause splashing of burning grease, resulting in a further spreading of the fire.

This section details the set up of the oven and the accessories included with your Dome S1.

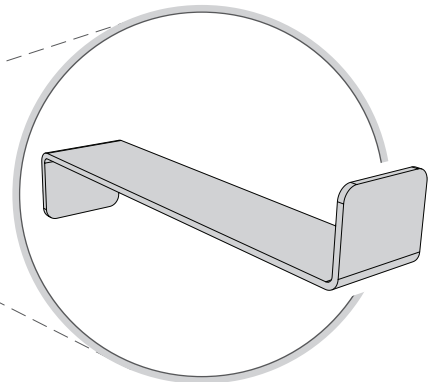
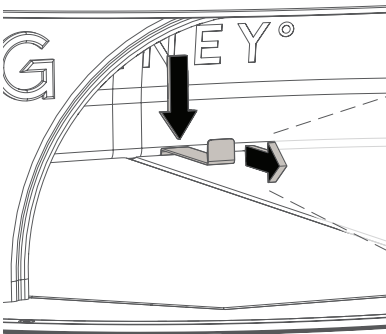
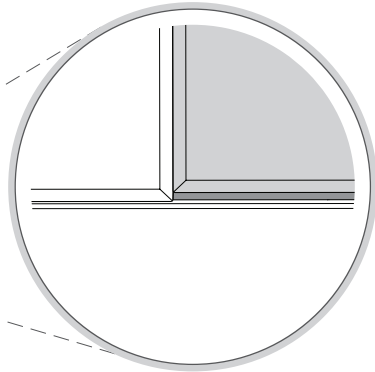
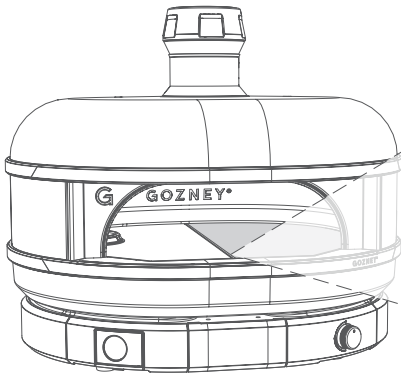
2

Setup & Accessories

Adjusting The Stones

Before using Dome S1 it is important that the four blue stone retention wedges and other packaging inside of the oven are removed.

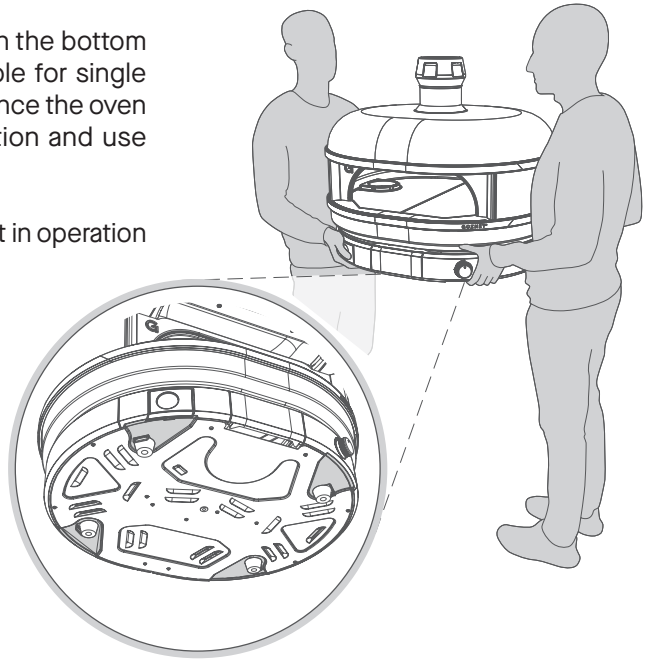
The removable stone design of the Dome S1 means that they are not fixed inside the oven and as such can shift backwards during transport. If there is a large visible gap at the front of the stones, you can use the included stone adjustment tool to hook the back of the stone and pull it forward.



Moving the Oven

The lifting straps located on the bottom of the oven are only suitable for single use. Please remove them once the oven is located to its final location and use hand holds below.

Do not move Dome S1 whilst in operation or when it is still hot.

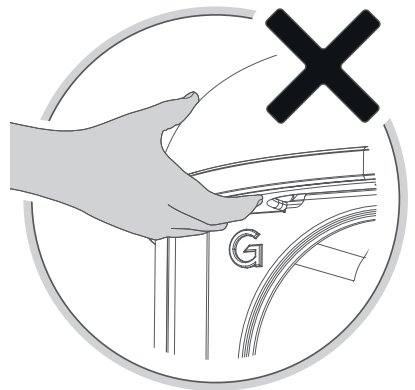


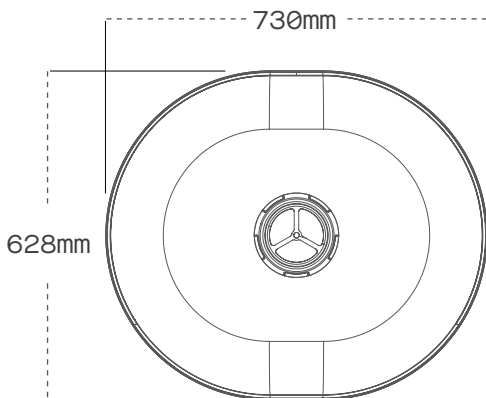
Never attempt to move the oven on your own. Two people should pick up the oven lifting from under the rounded ends of the oven, do not use the mouth of the oven as a lifting point.

Remove anything loose and all transit packaging in the oven before moving.

Always plan the route you are going to take, remove any obstacles on your path and ensure the oven will fit through the intended route.

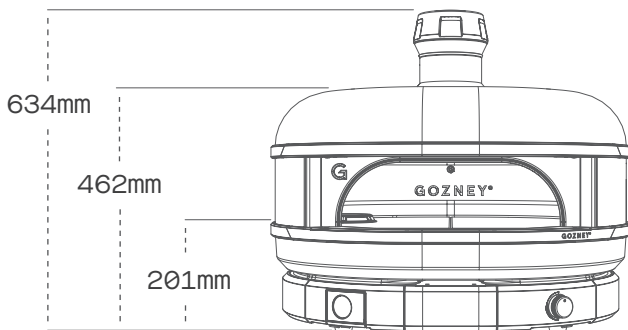
Ensure the area you are moving the oven to fits with the guidelines on the following page.





OVEN PLACEMENT

When deciding where to place Dome S1 ensure the area is large enough to accommodate the oven with 5cm around the base of the dock for air intake.



WARNING

When placing your oven it is important to maintain proper clearances from combustible construction. Ensure Dome S1 has 30cm clearance (back and sides) and 100cm clearance (front) from any combustible construction.

Always keep the area around the oven clear of any combustible materials, gasoline and other flammable vapours and liquids.

Under no circumstances is the oven to be placed under or on top of any combustible structure.

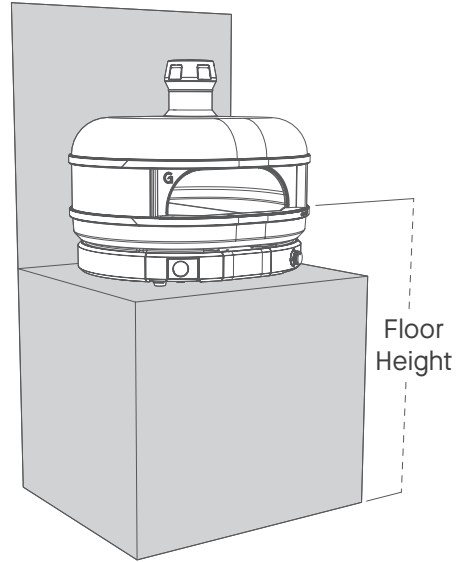
We recommend the height of the floor to be around the level of the bottom of the users elbow (usually around 120cm from the ground)

Ensure the surface the oven is being placed on is completely level, stable and capable of easily holding the weight of the oven - 60kg.

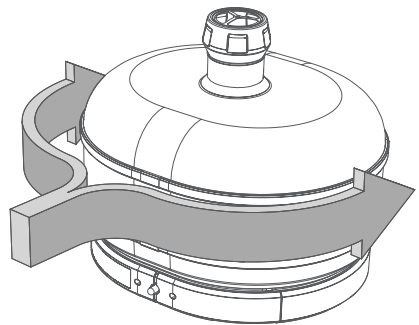


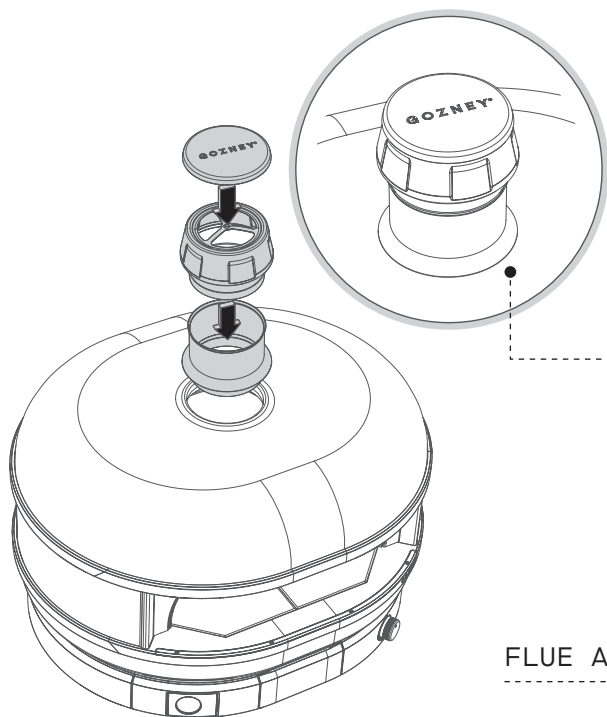
WARNING

Never operate the oven in high winds or if the wind is blowing into the oven mouth.



Wind should be taken into consideration when choosing a location. The oven should be orientated so that the mouth is facing away from the wind. Avoid using the oven in windy conditions, it is important to have wind breaks situated around the oven to stop the wind from blowing the flame down into the dock. If you see fire coming from the dock. Turn the oven off from either the gas bottle or control knob. Never operate the oven in high winds.

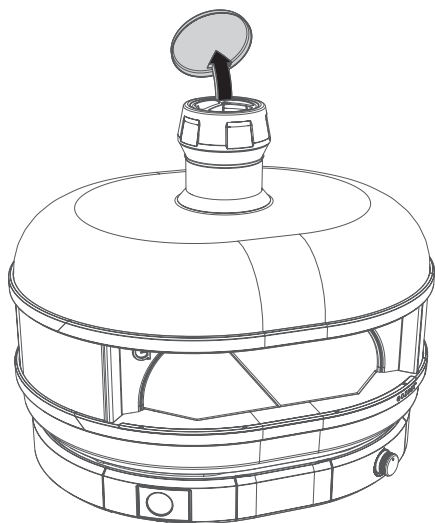




The flue is designed to have a rain guard which has a 5mm gap from the Dome S1.

FLUE ASSEMBLY

The rain cap prevents moisture from getting into the oven and should only be used when the oven is cooled and not in use. Ensure rain cap is removed before using appliance.



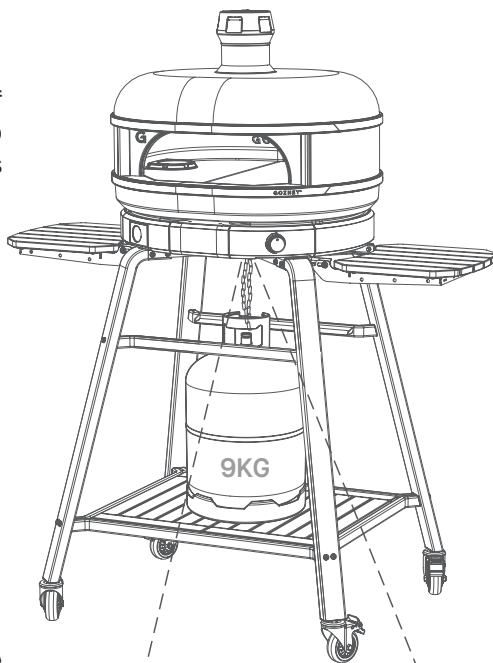
WARNING

Never leave the flue cap on when the oven is in use.



WARNING

It is important for the safe usage of Dome S1 that the gas bottle is secured to the oven as specified in the instructions below.

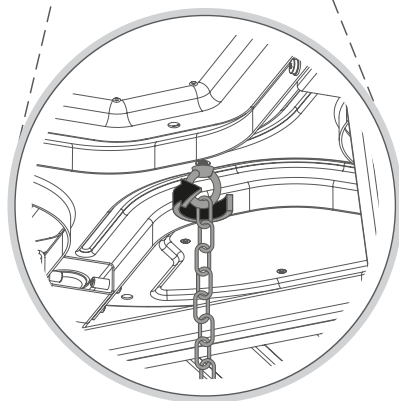


LPG BOTTLE SETUP

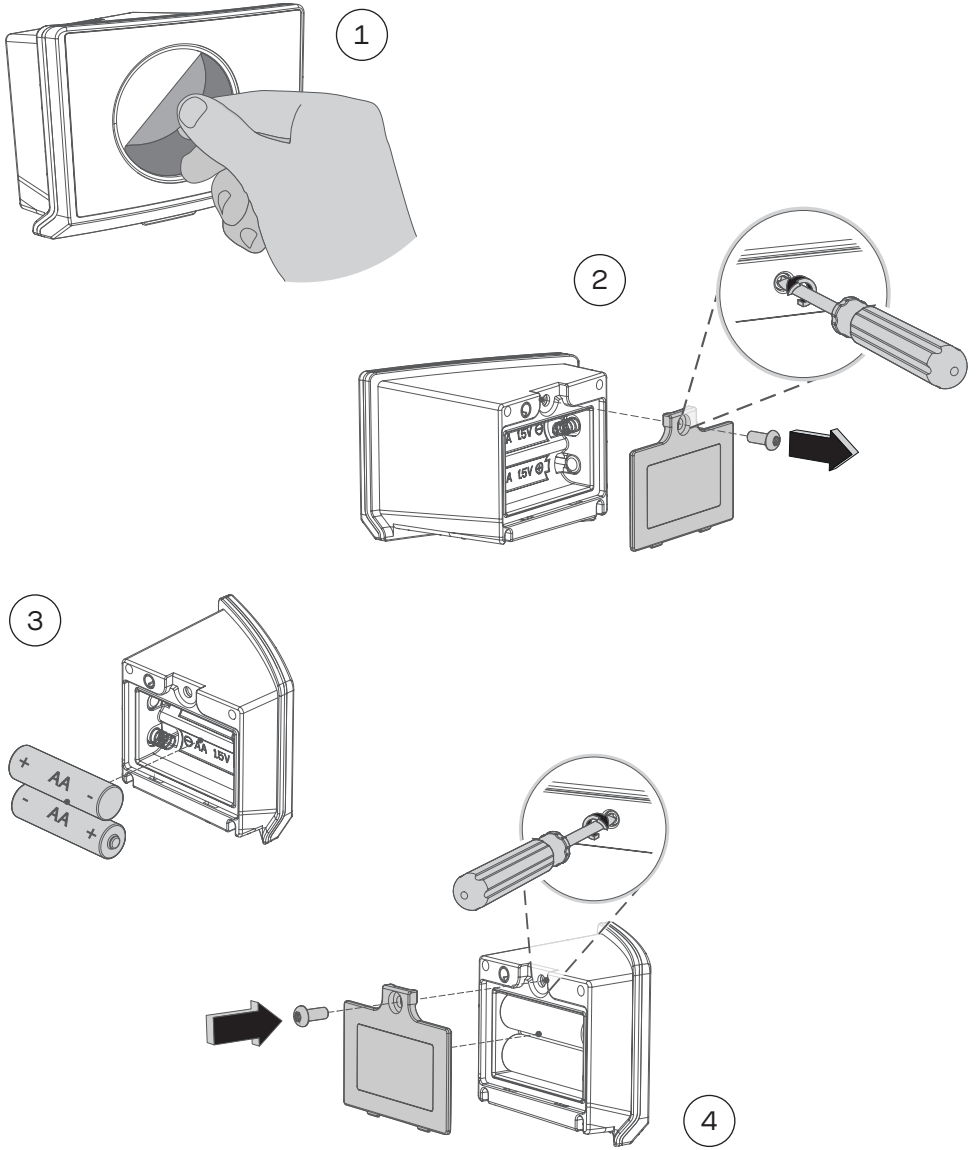
Remove F003 and replace with the eye bolt and chain that is in the box with the gas regulator.

Thread the chain through the handle of the gas bottle and clip it to either the eye bolt or the chain depending on the size of the bottle used. The chain needs to be taught to prevent the bottle from moving when on the stand.

Similarly, when using the Dome S1 on a counter-top, thread the eyebolt into the underside of the oven and attach the gas bottle to it using the chain. To prevent stress on the components, ensure that the length of the chain doesn't exceed 80% of the length of the hose assembly.



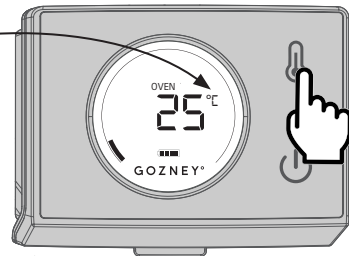
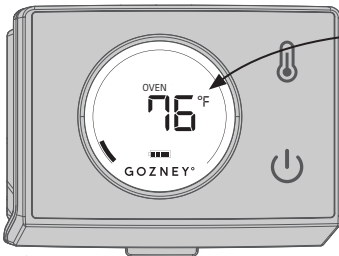
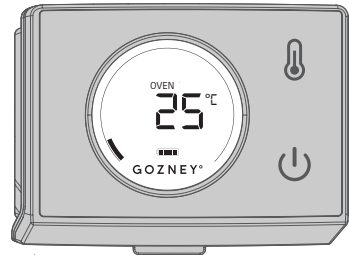
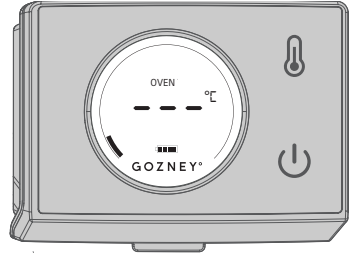
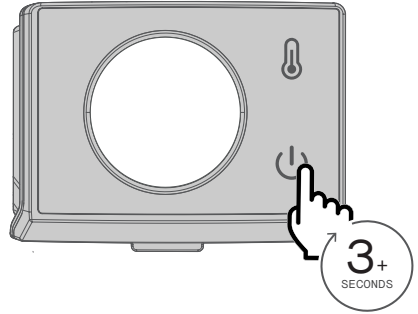
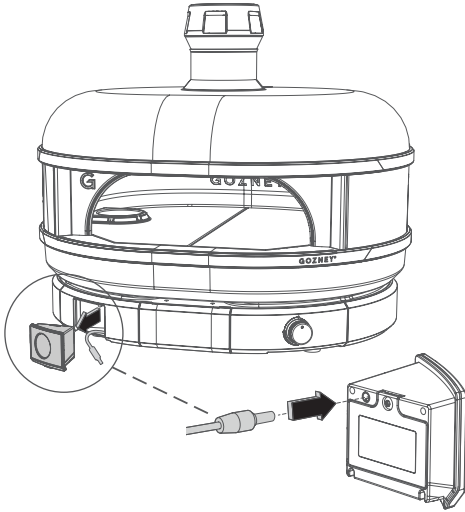
Digital Temperature Display



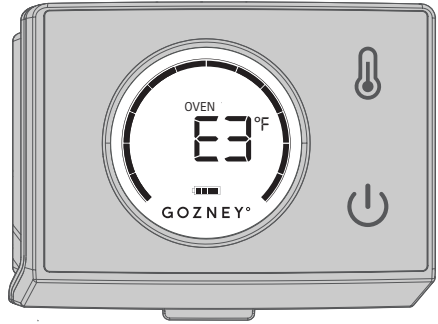
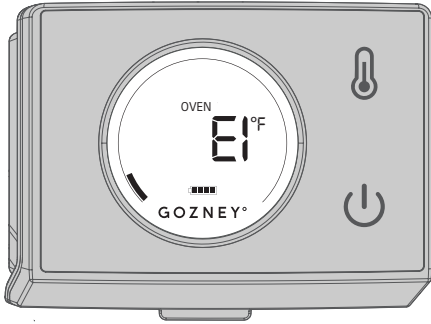
SET UP

After installing the batteries hold the power button down until the display turns on. Find the sensors jack by removing the plastic cap and plug it into the rear of the display, the screen will then show the temperature from within the oven.

The Digital Temperature Display is held in place by magnets.



Digital Temperature Display Troubleshooting



E1 ERROR CODE

If the thermometer is displaying an error code E1. This is caused by either:

- 1) A loose connection where the jack plug connects to the thermometer. Please ensure the jack plug is pushed fully in to the socket on the back of the thermometer.
- 2) Damage to the probe. The probe may need replacing. Please refer to maintenance instructions at the end of the manual.

E3 ERROR CODE

If the thermometer is displaying an error code E3. This is caused by the oven probe exceeding temperatures of 700°C/ 1292°F. Running the oven above this temperature may damage the unit.

To resolve this turn the gas burner off and let the oven cool naturally.

Do not try to rapidly cool the oven. This may crack the stone floor or cause stress damage to the oven.

Optional Accessories

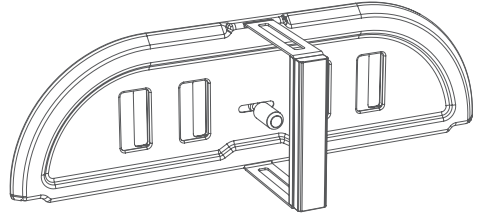
Not included and must be purchased separately.

ROPE SEALED DOOR

The Rope Sealed Door will help you create the perfect cooking environment for baking, smoking or slow roasting over long periods.

With its adjustable vents you'll be able to control the temperature in the oven.

For more details visit the Gozney website. www.gozney.com.



WARNING

Never use the door when the gas burner is lit. Always make sure the gas flame is extinguished and the gas dial is in the off position before installing the door.

FLUE EXTENSION

The Flue Extension will improve the efficiency of your oven and help reduce soot build-up around the mouth arch and within the oven.

For more details visit the Gozney website. www.gozney.com.

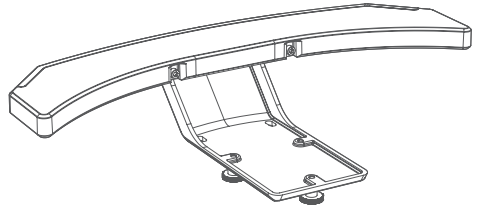


DOVE S1 MANTLE

Whether you're cooking Neapolitan pizza, roasting vegetables or smoking meat, the Dome S1 Mantle makes moving food in or out of the oven simple.

Easily bolting onto the oven, the Mantle is made from ceramic coated, food grade aluminum alloy for extra heat and scratch resistance.

For more details visit the Gozney website.
www.gozney.com.



Your guide to burning gas.

3

Firing Up Gas

Overview of gas firing

This is an overview of the process for igniting the oven.

Ignition Instructions

- 1) Remove all packaging from inside the oven mouth, including the blue stone retention wedges.
- 2) Do not use door with gas burner.
- 3) Remove flue cap from the top of the oven.
- 4) Burner control in off position.
- 5) Turn gas cylinder on.
- 6) Check no gas leaks.
- 7) Push and turn burner control anticlockwise. You should hear a clicking.
- 8) If burner doesn't light turn burner control off and wait 2 minutes before repeating.



CONNECTING TO GAS

Check that the gas you are using is specified on the data plate page.

The gas cylinder used must have a safety collar to protect the valve assembly. Do not use a cylinder that is rusty, dented or has a damaged valve.

We recommend using 9kg gas bottle in conjunction with Dome S1.

Connect the regulator to the gas cylinder, following the instructions for your regulator accordingly. Do not force the regulator as this could damage the gas bottle.

WARNING: If at any point you smell gas: Shut off the gas from the cylinder, turn off the switch on Dome S1 and extinguish any open flames.

If odour continues, move away from the Dome S1 and gas supply then contact your gas supplier or fire service.

Ensure that the LPG cylinder or regulator valve is closed.

Do not store a spare LPG cylinder under or near this appliance.

Gas Safety

Prior to use, check the oven, burner and venturi for blockages (e.g. food residue or insect nests - Wasps, Bees or Ants.) If an insect nest is found they can be dangerous and must be cleaned out thoroughly. Please refer to the cleaning and maintenance section for guidance.

Should the appliance extinguish for any reason, turn off the control knob and the cylinder gas valve. Wait 5 minutes before attempting to relight the appliance.

Some foods produce flammable fats and juices. Therefore the Dome S1 oven should be attended at all times whilst being used. Damage caused by fat and grease fires is not covered by warranty. If a grease or fat fire should occur, immediately turn off burner knob and the gas cylinder valve until the fire is out. Remove all food from the appliance.

A leak test must be carried out prior to using the appliance for the first time and whenever the gas cylinder is refilled or whenever the gas hose and regulator have been disconnected from the gas cylinder or appliance.

Remove all packaging before attempting to light the gas burner.

Please take a moment to review all of the safety requirements before operating the appliance when using gas.

⚠ Remove the cap from the gas inlet before connecting the hose. Make sure it is free of damage and debris.

⚠ Do not disconnect any gas fittings while the appliance is operating.

⚠ Check all gas hose lines and connections for cuts, cracks and other damage before each use. If there is excessive abrasion or wear it must be replaced with a Gozney approved hose assembly before use.

⚠ Gas cylinders must not be stored in enclosed areas.

⚠ Keep the fuel supply hose away from heated surfaces or direct sunlight.

⚠ Do not use any additional flammable substance whilst operating with gas.

⚠ Do not touch! The Dome S1 can get extremely hot when in operation. Be sure to wear protective gloves when operating the oven. Young children should be kept away.



Keep the cylinder outdoors in its upright position.



Do not connect multiple gas cylinders to Dome S1 or store a spare within the same vicinity.



A regulator which complies with AS 4627 or equivalent must fit between the gas canister and the oven.



Do not position the gas canister under the oven.



Never use a naked flame to check for gas leaks.



Use only hose and regulator supplied with appliance.



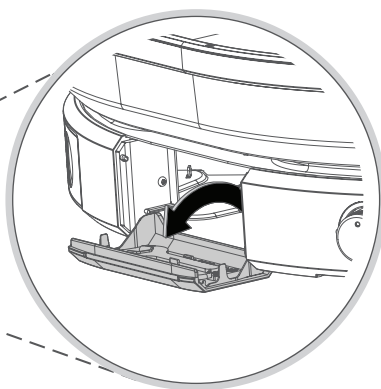
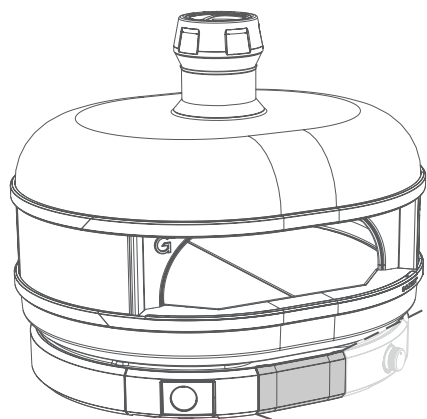
National requirements state how often to replace the hose. Please review this for your area.



Never fill the cylinder beyond 80 percent full.

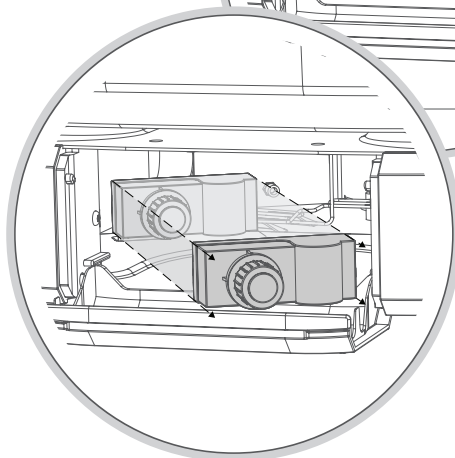
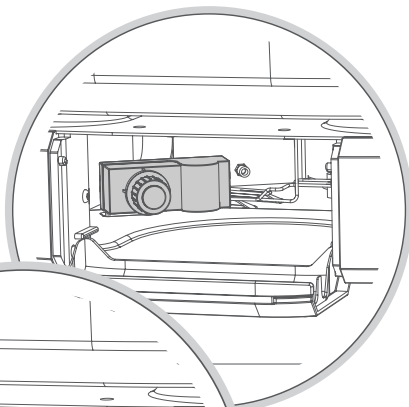


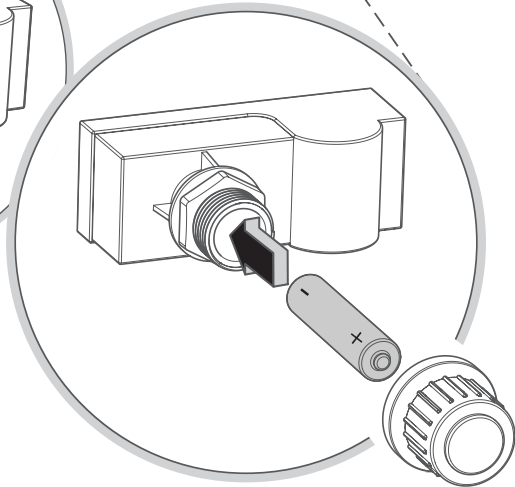
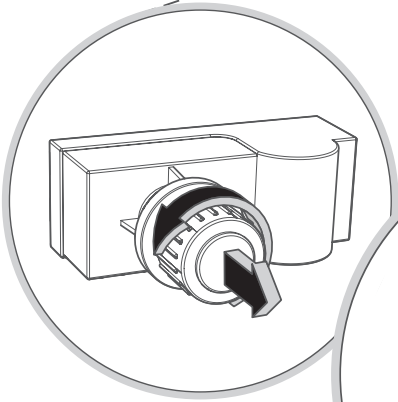
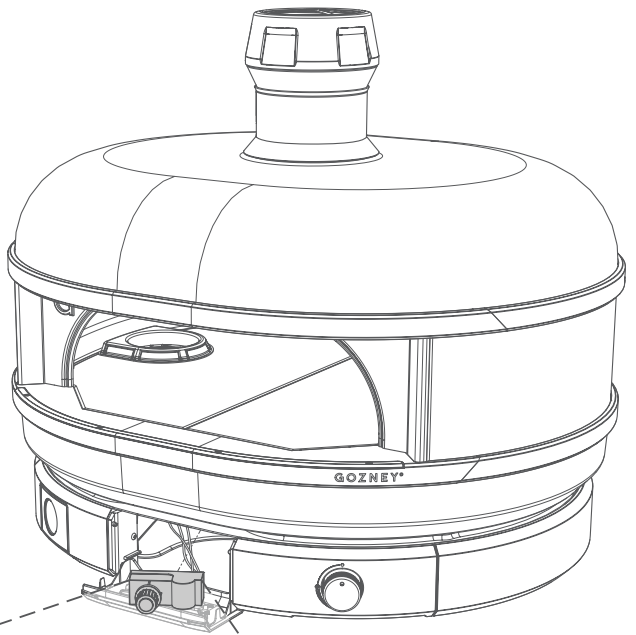
Make sure the flexible tube is not twisting when the appliance is in operation.

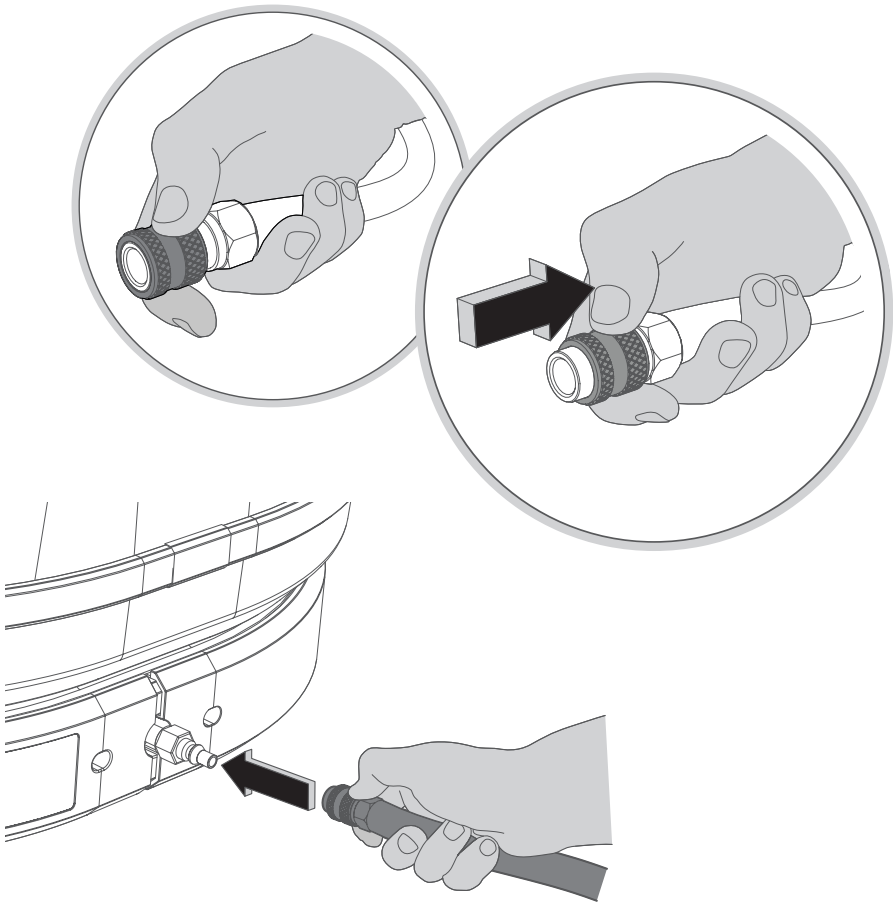


INSTALLING THE IGNITER BATTERY

Before using the gas burner for the first time you'll need to install an AAA battery into the ignition module. To do this open the front hatch, the module will be inside and to the left. The module is held in place by a magnet, detach the module and pull it to the front hatch before unscrewing the cap and placing the battery in (negative end first). Return the module to its original position, close the front hatch and you're ready to connect the gas bottle to the oven.

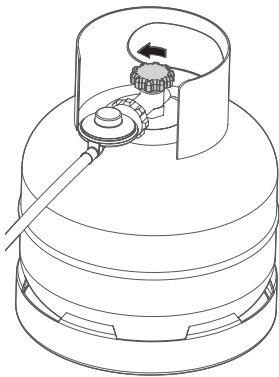
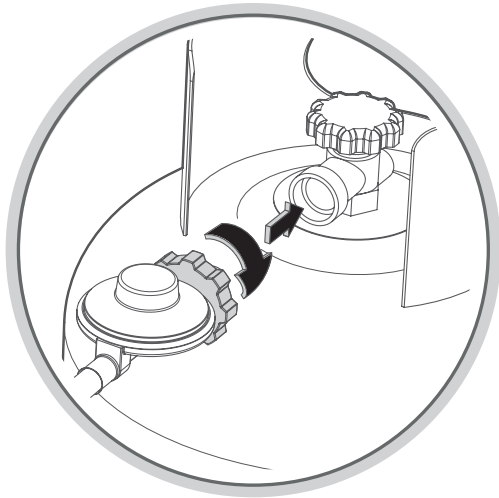






CONNECTING THE GAS HOSE

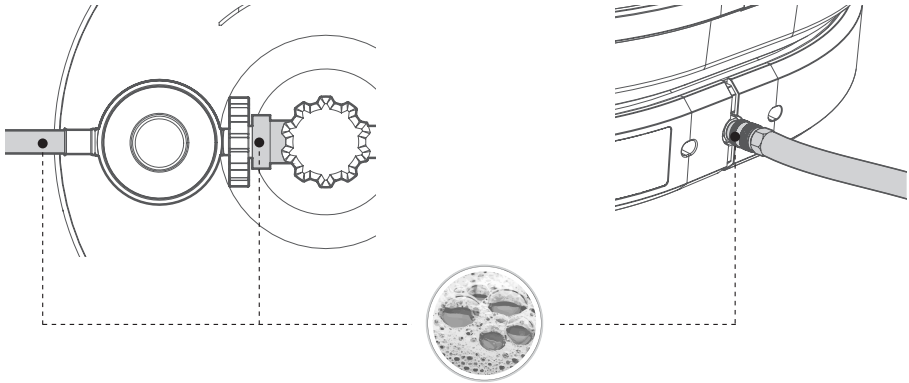
To attach the quick connection gas hose to your Dome S1 pull the collar back on the connector and place the hose onto the gas inlet. When you release the collar it should return to its original position freely. This connection must be tested for leaks before using the oven.



CLOCKWISE REGULATOR

Ensure the gas bottle is turned off. Align the regulator and the gas bottle threads and carefully begin to tighten ensuring the threads aren't crossed. Continue to tighten until a tight fit has been made. This connection must be tested for leaks before using the oven.

Testing For Leaks



WARNING

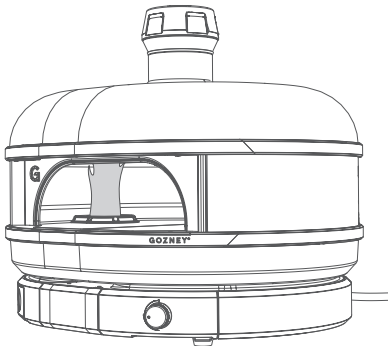
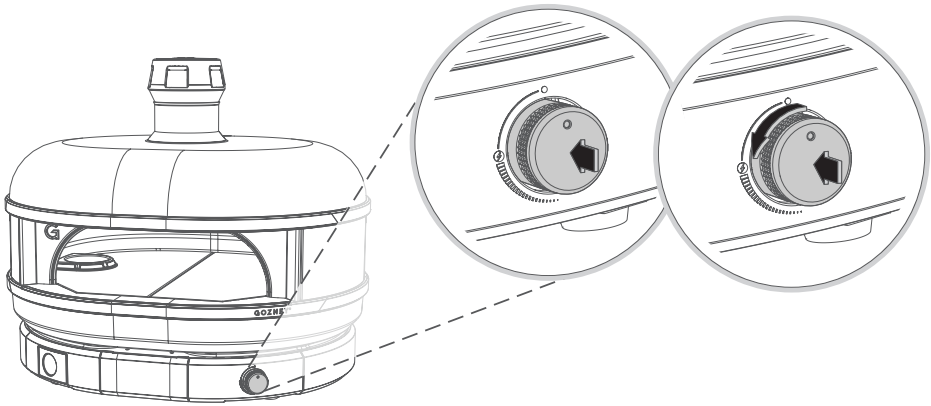
You should always check for gas leaks every time you disconnect and reconnect a gas fitting. Never ignite burners when leak checking.

To test for gas leaks, apply a mixture of soapy water with a brush to the highlighted areas and any cracks along the hose. If a leak is present the solution will bubble.

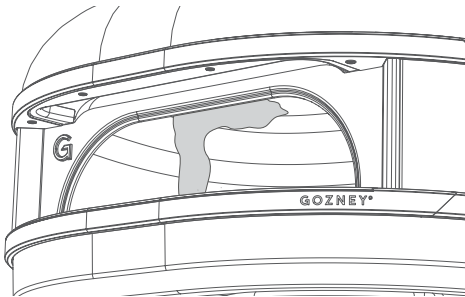
If there is a leak at the hose to oven connection, re-tighten the fitting with a spanner and check for leaks by applying a soap-and-water solution to the highlighted areas with a brush. If a leak persists turn off the gas and **DO NOT OPERATE THE OVEN.**

If there is a leak at the valve connection, remove LPG cylinder. Do not operate oven. Use a different LPG cylinder and recheck for leaks with the soap-and-water solution.

Ignition



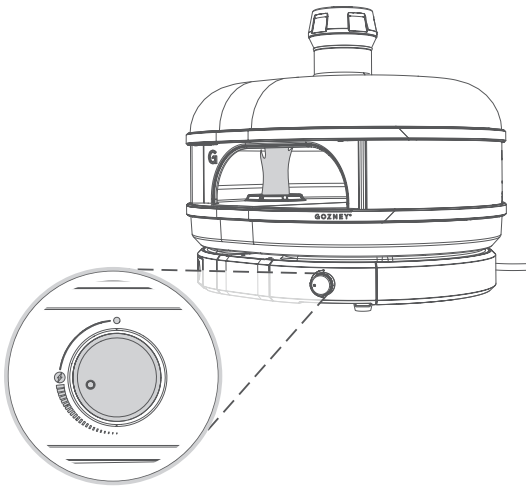
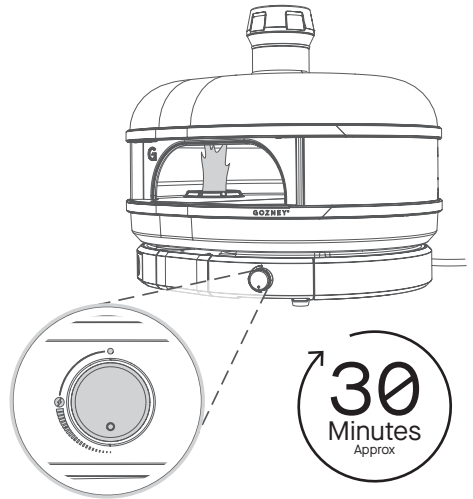
Remove the door and the stone retention wedges before lighting the oven. Do not use the door with gas burner. To light the gas burner press the control knob in and turn the knob 90° until you hear a clicking sound and the burner ignites.



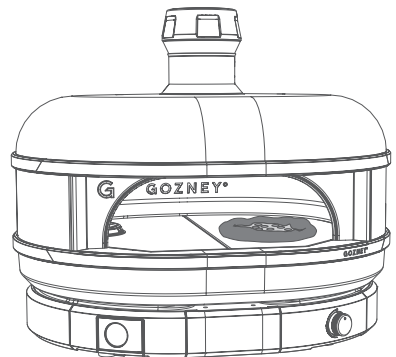
The flame should be yellow in colour and roll along the top of the oven.

First Firing

On your first firing we highly recommend to put the burner on a medium to low flame for 30 minutes to help cure the oven before moving to a high flame.



On subsequent firings after curing, you can bring the oven up to the desired temperature from ignition. If the oven has been dormant for an extended period, you should cure the oven again as if it was a first firing.

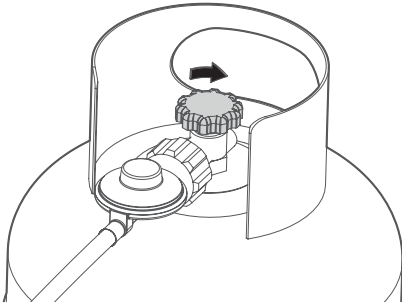


Troubleshooting Gas Burner

Problem Observed	Possible Reasons	Solution
Flame looks too small	<ul style="list-style-type: none"> Gas cylinder is near empty Gas cylinder is too small Ambient temperature is below 0°C Blocked burner 	<ul style="list-style-type: none"> Try replacing the gas cylinder if it is empty. The cannister maybe too small. We recommend a 9kg canister as a minimum. If the ambient temperature is below 0°C it is to be expected that a loss of power from the gas canister will occur. The burner could be blocked, please refer to cleaning instructions available in this manual.
Failure to ignite	<ul style="list-style-type: none"> Ignition battery is empty Blocked burner Gas canister is empty 	<ul style="list-style-type: none"> If firing for the first time or replacing a gas bottle the burner can take up to 30 seconds for the gas to flow through the system. Keep the control knob on until the pilot light has ignited. If the control knob is not making a clicking sound when pushed in try replacing the battery at the back of the unit. Review the maintenance section within the manual for help and guidance on this.
Noisy Flame	<ul style="list-style-type: none"> Incorrect ignition Blocked Burner 	<ul style="list-style-type: none"> If the burner is making a loud roaring sound first turn the burner down to low flame and then back to high. If the sound continues turn the burner off for 5 minutes and retry igniting it. If the problem persists still review the cleaning and maintenance instructions to remove debris in the burner.

If the problem persists after trying the following solutions please contact Gozney for further support.

Disconnecting Gas



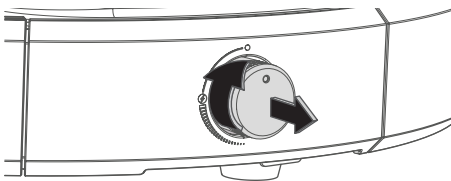
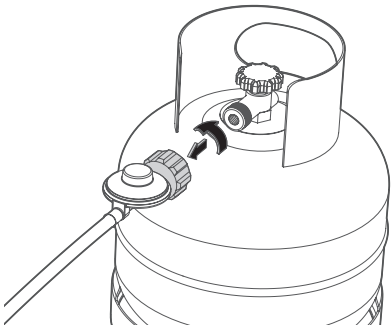
ANTICLOCKWISE REGULATOR

After cooking, be sure to turn off the gas from the gas canister first before turning of the Dome S1. This will allow any gas left in the burner or pipe to be used up safely. Three minutes after turning the gas off it will be safe to remove the regulator and turn the control dial back to the off position.



WARNING

For storage and cylinder exchange, disconnect the cylinder only. Do not disconnect hose from the appliance.

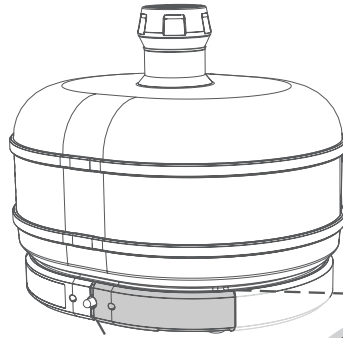


Your guide to general maintenance.

4

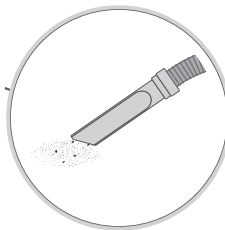
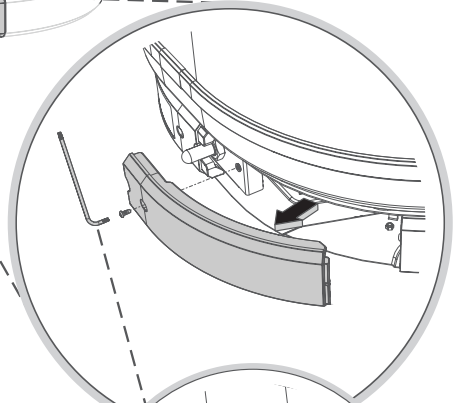
General Maintenance

Maintenance



CLEANING THE VENTURI

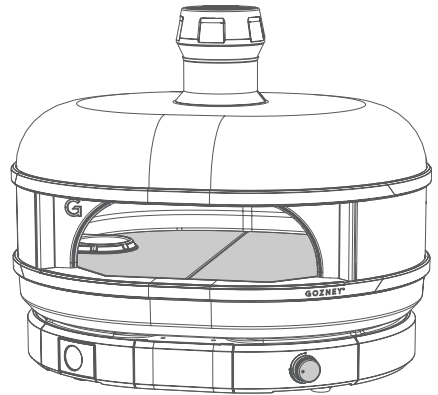
If your burner's flame is overly yellow or making more noise than usual you may have debris blocking the venturi. When the oven is turned off, disconnected from the gas and cool, remove the rear right hand side panel using the torx screwdriver located in the front hatch of the dock. Use a vacuum cleaner with a long plastic nose to remove any debris. It's good practice to check the inside of the dock for debris regularly.



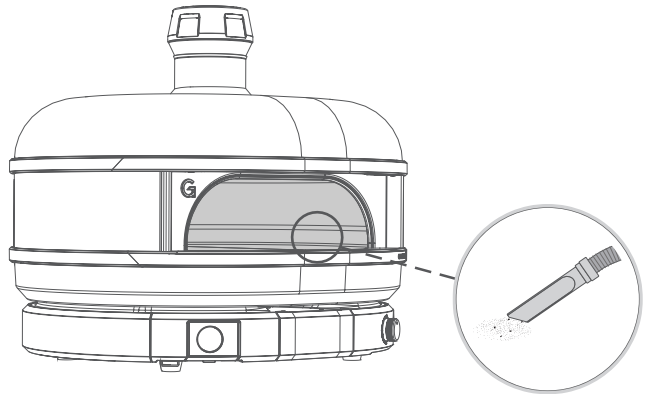
Cleaning The Oven

INTERNAL

The best way to clean the inside of the Dome S1 is to burn off any food debris or soot that is left behind. When the oven is over 343°C it will start self cleaning and any burnt on food will burn off after a period of four hours.



If there is any soot or debris left, wait for the oven to cool down and use a soft brush to dislodge, being careful not to apply too much pressure and damage the oven. Use a vacuum cleaner with a plastic attachment to remove the loose debris from the oven.



EXTERNAL

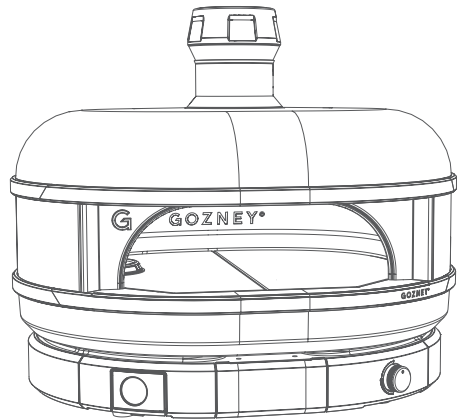
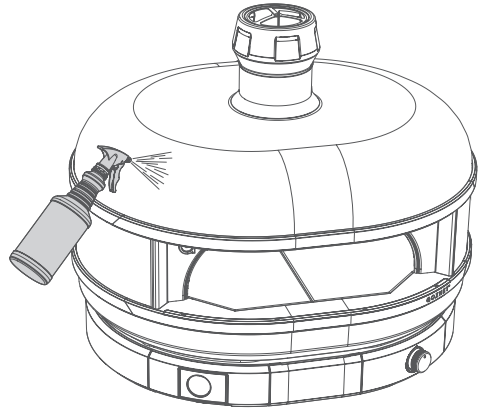
For the exterior of the oven use a non caustic bleach free cleaning spray on the dirty areas. Clean the area with warm soapy water and a sponge or non abrasive dish cloth and then wipe clean with paper towels.

Avoid spraying directly onto the thermometer or control dial.

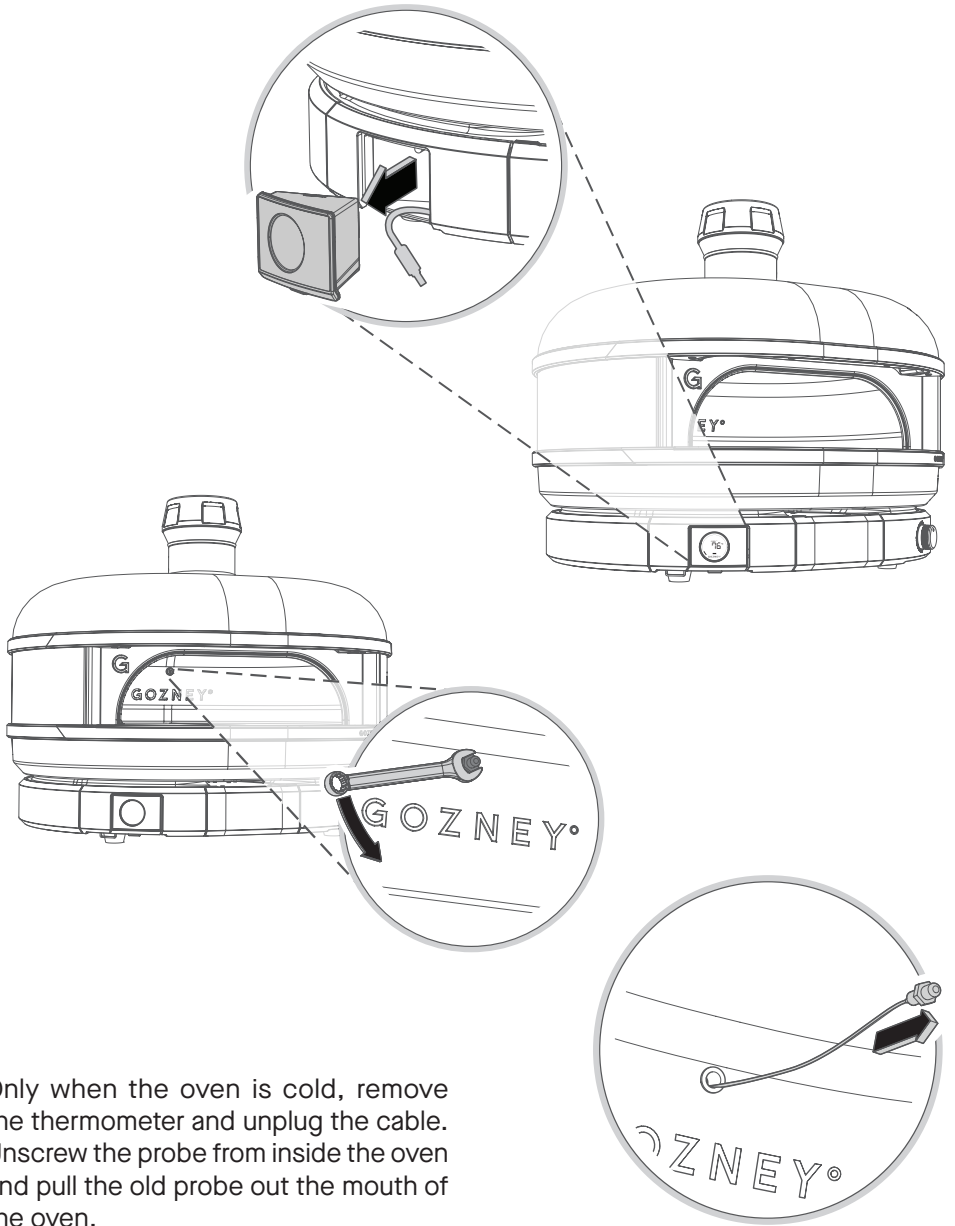
Do not use abrasive cleaning products.

When the oven isn't in use it should be kept under cover away from rain. If you are placing a cover directly on Dome S1, ensure it's completely cooled down before covering.

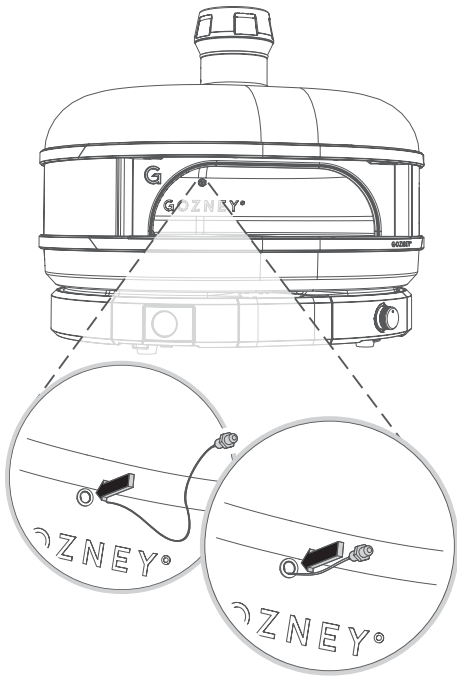
When using the oven after a long spell of no use, we recommend firing the oven as if it is a first firing.



Replacing The Probe



Only when the oven is cold, remove the thermometer and unplug the cable. Unscrew the probe from inside the oven and pull the old probe out the mouth of the oven.



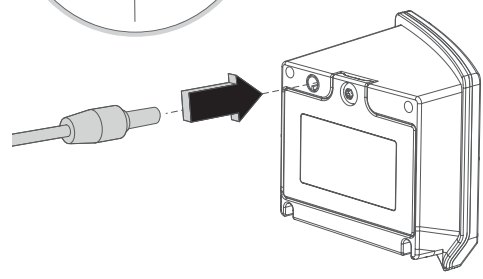
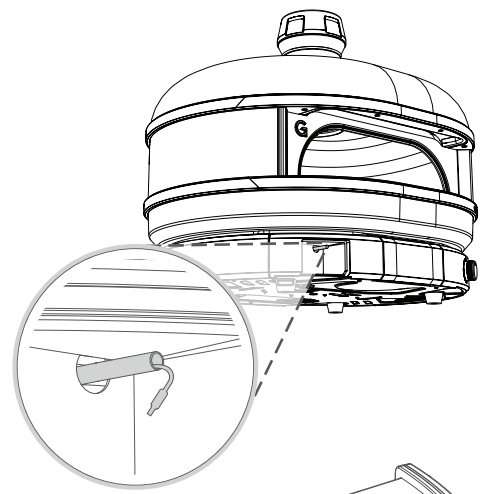
Push the new probe's wires into the hole and feed them through until they are visible from inside the area where the thermometer is normally housed. Hand tighten the probe in place, avoid using a spanner as you may damage the probe.



⚠
BEWARE:
Don't over tighten probe.

Plug the new cable into the back of the thermometer and return it to its position within the Dome S1 Dock.

Double check the probe is functioning by checking the digital temperature display and return the panel to the back of the oven.



This section details the Gozney Dome product warranty.

5

Product Warranty

Warranty

Company Name:
Registered Address:

Gozney Australia PTY Limited
Suite 201, Level 2, 65 York Street,
Sydney. GPO Box 4198, Sydney, NSW
2001 Australia

Contact Email Address:
Contact Number:

enquiries@gozney.com
+61 (27) 2541582

Your Gozney product comes with a 1 year warranty as standard.

If you have purchased a Dome and would like to extend to a 5 year limited warranty, you can register your product within 60 days of receiving it by going to the Gozney website and scroll down to the page titled 'Register Product'. If you are unable to access the website or have any questions with regards to registering your product, you can email us at warranty@gozney.com or give us a call on +61 (27) 2541582, where the customer experience team will be happy to assist.

If, in the unexpected circumstance, you're having trouble with your Dome and need to make a claim; email us at warranty@gozney.com with:

- (i) your full name
- (ii) your serial number
- (iii) photographs of any faulty parts and
- (iv) proof of purchase, and we'll get back to you as soon as possible.

If you give us notice in writing during the applicable warranty period within a reasonable amount of time following the discovery that some or all of the Products do not comply with the applicable warranty as previously set out, and we are given a reasonable opportunity to examine the Products and we determine that the Products do not comply with the warranty as set out then we shall, at our discretion, repair or replace the defective Products. In certain circumstances, we may decide to refund the price of the Products. This would be done on a pro-rata basis based on the market value of the Products at the time any refund was payable and would take into consideration any wear and tear as well as normal market depreciation.

We reserve the right to require that faulty Products be returned to us. In such circumstances we shall cover the cost of the return carriage by normal means within our serviced territories and the

replaced Products will be delivered free of charge by us to you at the original delivery address. If, following inspection of the returned Products, we determine that, acting reasonably, there has been no breach in the warranty for the Product as set out, we will return the product to you, at your cost.

We shall have no liability to you (whether the Products are found to breach the applicable warranty or not) for the cost of removing Products returned to us under the above conditions or for re-installing after they have been returned.

The benefits as a result of this warranty are in addition to other rights and remedies available to you under the law

This warranty shall not affect your consumer or other statutory rights.

Our goods come with guarantees that cannot be excluded under the Australian Consumer Law.

You are entitled to a replacement or refund for a major failure and compensation for any other reasonably foreseeable loss or damage.

You are also entitled to have the goods repaired or replaced if the goods fail to be of acceptable quality and the failure does not amount to a major failure.

For our full warranty terms, please visit our website: <https://au.gozney.com/pages/warranty>

GOZNEY°